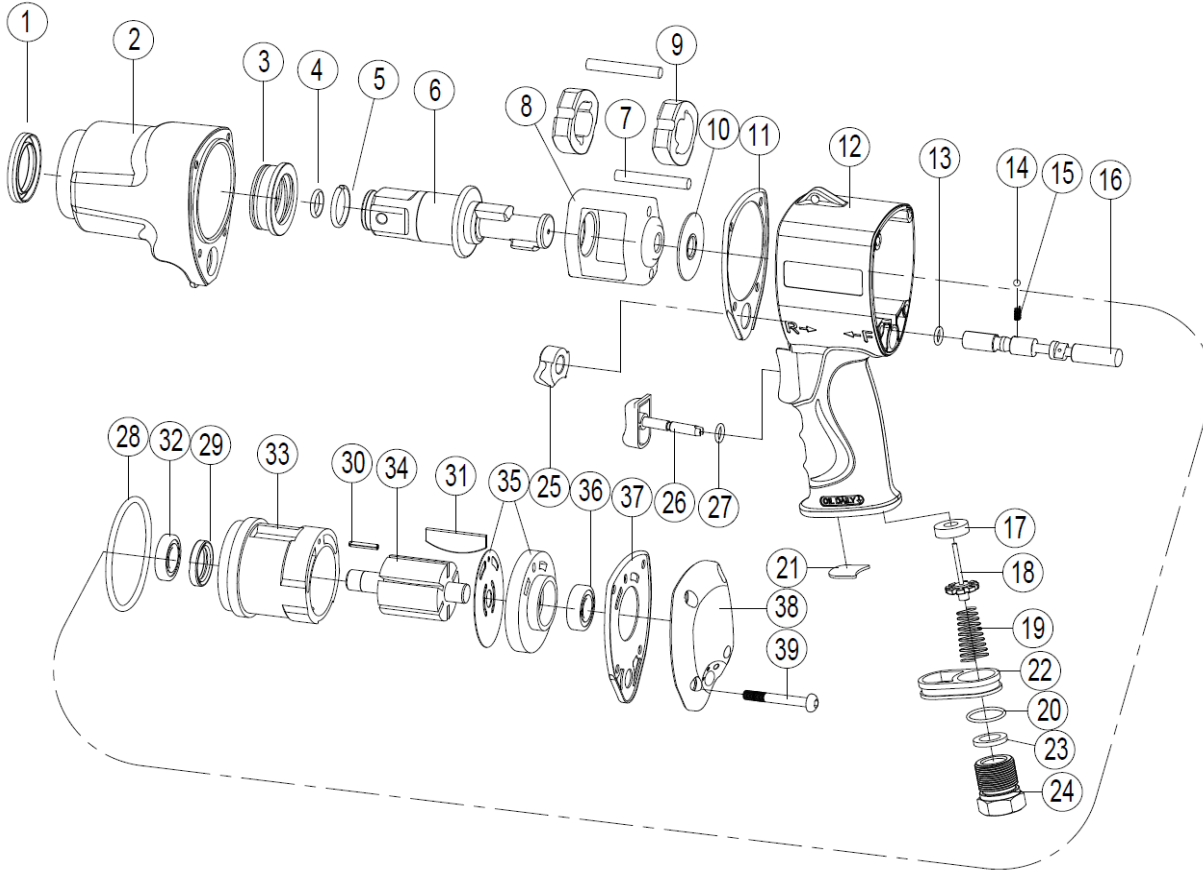


| | |
|--------------------------------|---------------|
| NL Slagmoersleutel | RC8880 |
| GB Impact wrench | RC8880 |
| D Schlagschrauber | RC8880 |
| F Boulonneuse | RC8880 |
| I Avvitatori ad Impulso | RC8880 |
| DK Slagnøgle | RC8880 |
| N Muttertrekere | RC8880 |



| Index | Parts No. | Description | Quantity |
|-------|--------------|---------------|----------|
| 1 | RPSC2585TA01 | Oil Seal | 1 |
| 2 | RPSC2585TA02 | Hammer Case | 1 |
| 3 | RPSC2585TA03 | Bushing | 1 |
| 4 | RPSC2585TA04 | Anvil Collar | 1 |
| 5 | RPSC2585TA05 | O-Ring | 1 |
| 6 | RPSC2585TA06 | Anvil | 1 |
| 7 | RPSC2585TA07 | Hammer Pin | 2 |
| 8 | RPSC2585TA08 | Hammer Cage | 1 |
| 9 | RPSC2585TA09 | Hammer Dog | 2 |
| 10 | RPSC2585TA10 | Washer | 1 |
| 11 | RPSC2585TA11 | Front Gasket | 1 |
| 12 | RPSC2585TA12 | Motor Housing | 1 |
| 13 | RPSC2585TA13 | O-Ring | 1 |
| 14 | RPSC2585TA14 | Steel Ball | 1 |
| 15 | RPSC2585TA15 | Spring | 1 |
| 16 | RPSC2585TA16 | Reverse Valve | 1 |
| 17 | RPSC2585TA17 | Retainer | 1 |
| 18 | RPSC2585TA18 | Valve Stem | 1 |
| 19 | RPSC2585TA19 | Spring | 1 |
| 20 | RPSC2585TA20 | O-Ring | 1 |
| 21 | RPSC2585TA21 | Muffler | 1 |

| Index | Parts No. | Description | Quantity |
|-------|---------------|-------------------------|----------|
| 22 | RPSC2585TA22 | Exhaust Deflector | 1 |
| 23 | RPSC2585TA23 | Washer | 1 |
| 24A | RPSC2585TA24A | Hose Adaptor -18NPT | 1 |
| 24B | RPSC2585TA24B | Hose Adaptor -19PT | |
| 24C | RPSC2585TA24C | Hose Adaptor -19PF(BSP) | |
| 25 | RPSC2585TA25 | Regulator Knob | 1 |
| 26 | RPSC2585TA26 | Trigger | 1 |
| 27 | RPSC2585TA27 | O-Ring | 1 |
| 28 | RPSC2585TA28 | O-Ring | 1 |
| 29 | RPSC2585TA29 | Oil Seal | 1 |
| 30 | RPSC2585TA30 | Spring Pin | 1 |
| 31 | RPSC2585TA31 | Rotor Blade | 6 |
| 32 | RPSC2585TA32 | Ball Bearing | 1 |
| 33 | RPSC2585TA33 | Cylinder | 1 |
| 34 | RPSC2585TA34 | Rotor | 1 |
| 35 | RPSC2585TA35 | Rear Plate | 1 |
| 36 | RPSC2585TA36 | Ball Bearing | 1 |
| 37 | RPSC2585TA37 | Rear Gasket | 1 |
| 38 | RPSC2585TA38 | Rear Cover | 1 |
| 39 | RPSC2585TA39 | Screw | 4 |