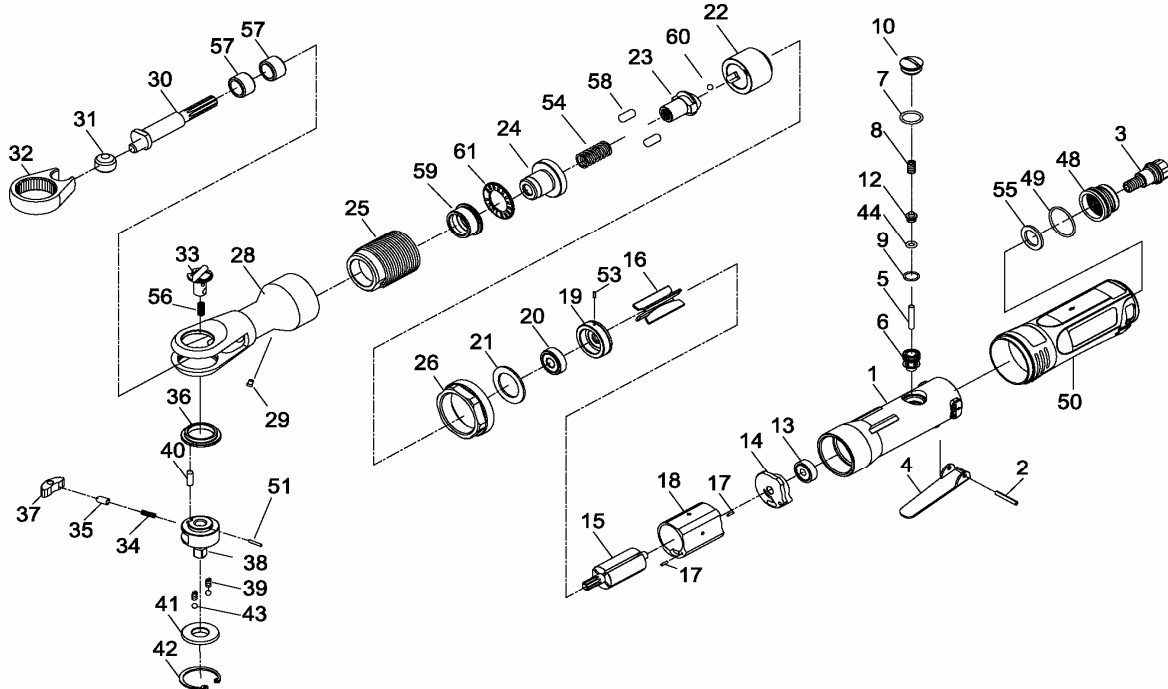


- NL** Ratelsleutel
- GB** Ratchet
- D** Ratschenschrauber
- F** Clés à Rochet
- I** Cricchetti
- DK** Skraldenøgler
- N** Skraller

- 1014400A**
- 1014400A**
- 1014400A**
- 1014400A**
- 1014400A**
- 1014400A**
- 1014400A**



2012-04



Index	Parts No.	Description	Qty
1	RP33-312301	Housing	1
2	RP50102	Spring Pin (3x22L)	1
3	RP33-312303	Air Inlet	1
4	RP33-301304	Throttle Lever	1
5	RP33-301305	Throttle Shaft	1
6	RP33-312306	Bushing	1
7	RPOR706109	O-Ring (14X1.8)	1
8	RP33-301308	Spring	1
9	RPOR01000105	O-Ring (10x1.5)	1
10	RP33-312310	Valve Plug	1
12	RP33-301307	Throttle Valve	1
13	RPBB696ZZ	Ball Bearing (696ZZ)	1
14	RP34-301714	Rear End Plate	1
15	RP34-301715	Rotor	1
16	RPSM30116	Rotor Blade	4
17	RPSM30117	Spring Pin (1.5x6L)	2
18	RP34-301718	Cylinder	1
19	RP34-301719	Front End Plate	1
20	RPBB608ZZ	Ball Bearing (608ZZ)	1
21	RP34-301721	Washer	1
22	RP34-301740	Mechanism Housing	1
23	RP34-301734	Mechanism Anvil	1
24	RP34-301736	Mechanism Cover	1
25	RP34-301735	Coupling Sleeve	1
26	RP34-301717	Coupling Nut	1
28	RP34-301728	Ratchet Housing	1
29	RP41-401254	Oil Cap (1/8")	1
30	RP34-301730	Crank Shaft	1

Index	Parts No.	Description	Qty
31	RP34-301729	Drive Bushing	1
32	RP33-301332	Yoke	1
33	RP34-301733	Reverse Button	1
34	RP34-301732	Spring	1
35	RP34-301731	Lock Pin	1
36	RP34-301741	Washer	1
37	RPSM30137	Ratchet Pawl	1
38	RP33-301738	Ratchet Anvil 3/8"	1
39	RPSM30139	Spring	2
40	RPSM30140	Pin (4.5x12.7L)	1
41	RP34-301742	Thrust Washer	1
42	RPSM30142	Retainer Ring (RTW-31.5)	1
43	RPSM30143	Steel Ball (5/32")	2
44	RPSM30107	O-Ring (3.8X1.9)	1
48	RP33-302311	Deflector	1
49	RPOR02607108	O-Ring (26.7x1.78)	1
50	RP33-312352	Grip	1
51	RPPN02000608	Pin (2x6.8L)	1
53	RP70117	Spring Pin (2x5L)	1
54	RP34-301752	Spring	1
55	RP33-302312	Damping Material	1
56	RP34-301753	Spring	1
57	RPSM30129	Needle Bearing (HK1212)	2
58	RPPN06001108	Pin (6x11.8L)	1
59	RP34-301724	Bushing	1
60	RPAS000143	Steel Ball (3/16")	1
61	RPONTB1831	Thrust Bearing	1