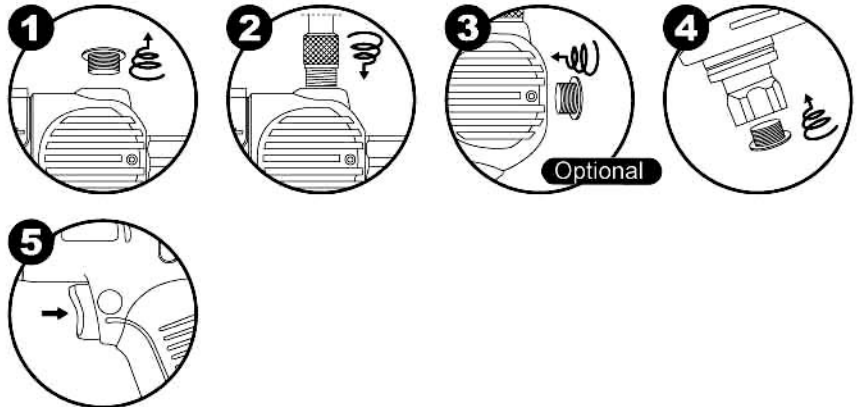
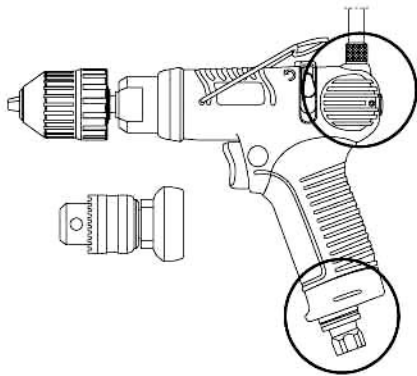
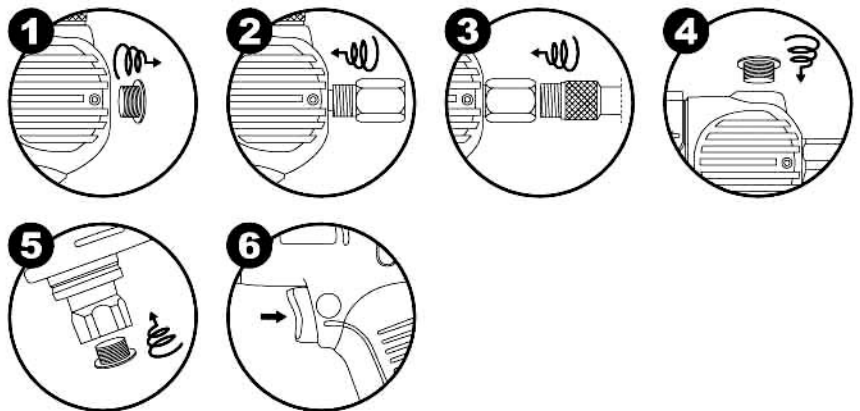
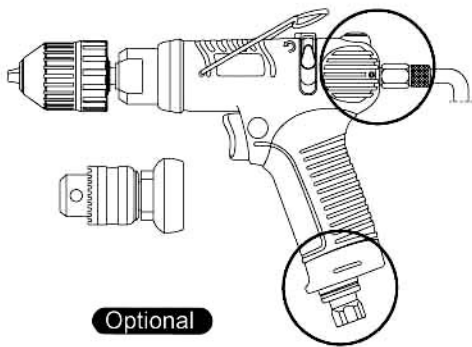


# Operation Manual

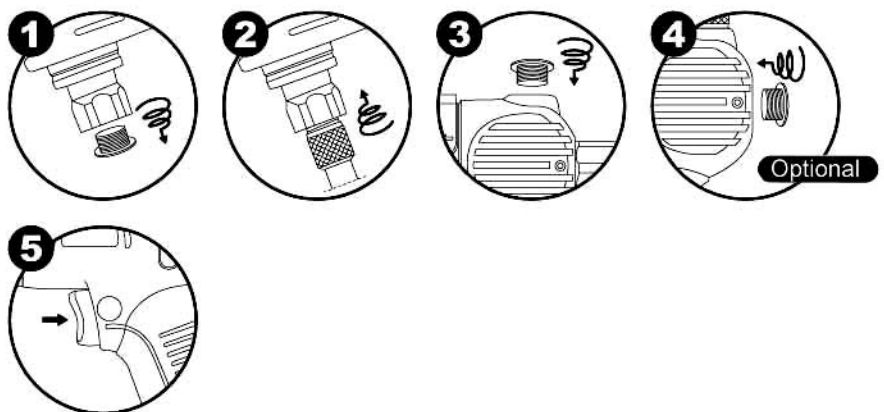
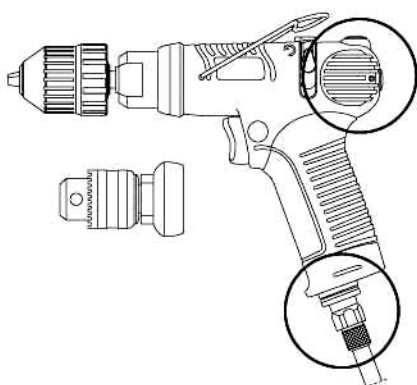
## Change air-inlet direction operation



Notice : Press the trigger



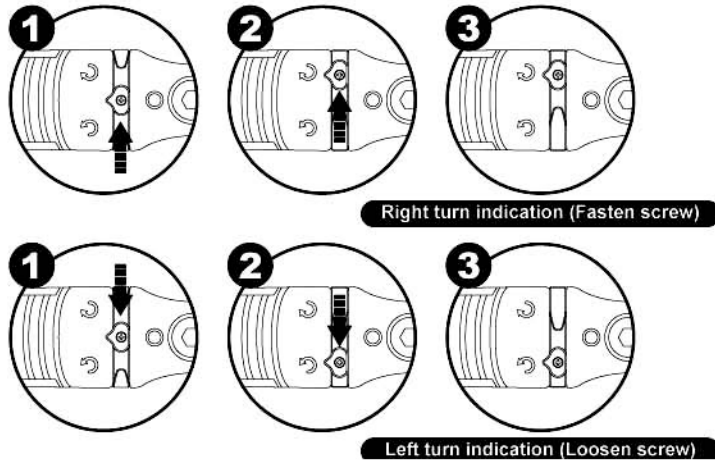
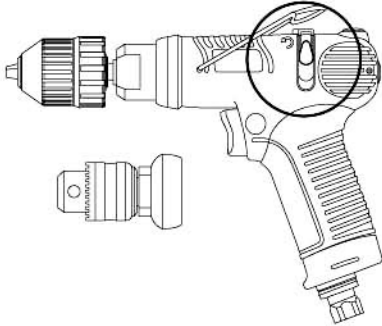
Notice : Press the trigger



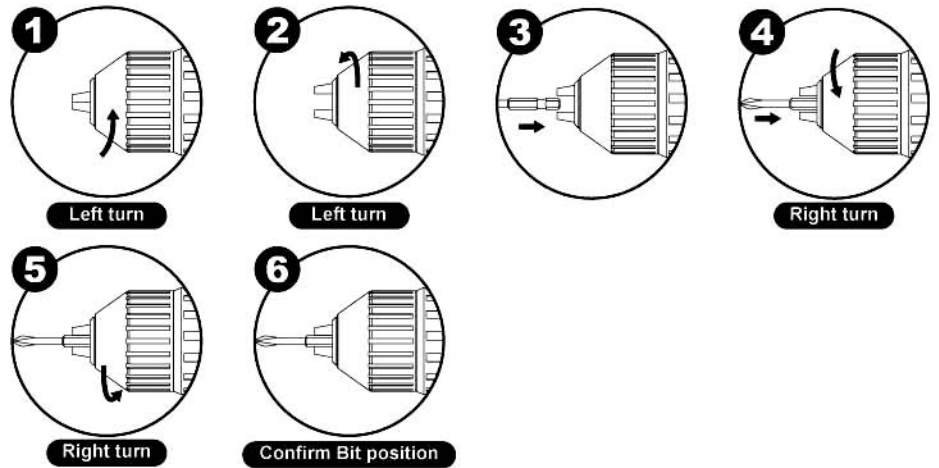
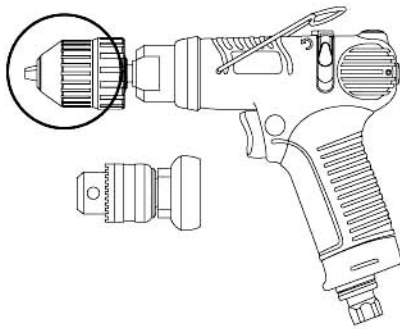
Notice : Press the trigger

# Operation Manual

## Reverse Switch operation



## Bit convert operation



## Drilling, Tapping, Screwing

