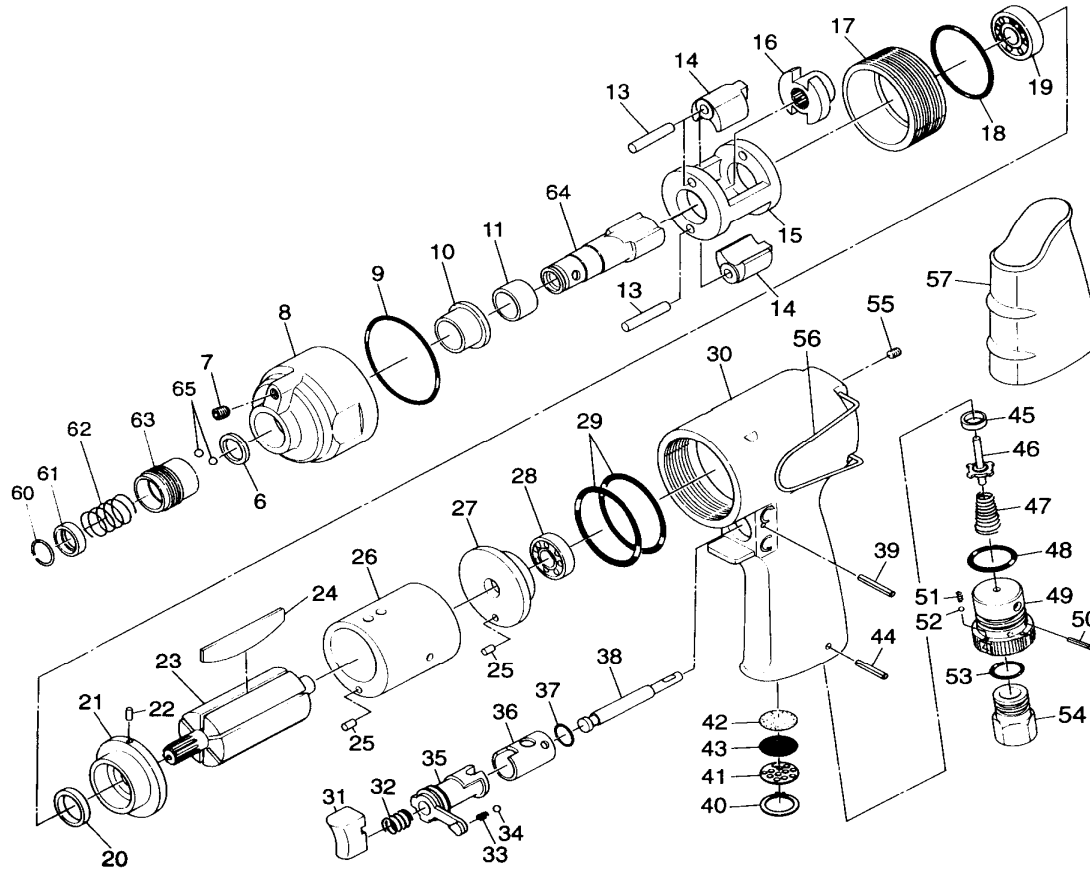


- NL** Schroevendraaier
- GB** Screwdriver
- D** Drehschrauber
- F** Vissuese
- I** Giraviti
- DK** Skruetrækker
- N** Skrutrekker

- RC 3450**
- RC 3450**
- RC 3450**
- RC 3450**
- RC 3450**
- RC 3450**
- RC 3450**



2008-10



Index	Parts No.	Description	Quantity
6	RP8102B06	Oil Seal	1
7	RP8102B07	Oil plug	1
8	RP8102B08	Clutch housing	1
9	RP8102B09	O-ring	1
10	RP8102B10	Bushing	1
11	RP8102B11	Collar	1
13	RP8102B13	Hammer pin	2
14	RP8102B14	Hammer	2
15	RP8102B15	Hammer cage	1
16	RP8102B16	Cam	1
17	RP8102B17	Pilot ring	1
18	RP8102B18	O-ring	1
19	RPBBE3	Ball bearing	1
20	RP8102B20	Oil seal	1
21	RP8102B21	Front end plate	1
22	RP8102B22	Spring pin	1
23	RP8102B23	Rotor	1
24	RP8102B24	Rotor blade	6
25	RP8102B25	Spring pin	2
26	RP8102B26	Cylinder	1
27	RP8102B27	Rear end plate	1
28	RPBB626	Ball bearing	1
29	RP8102B29	O-ring	2
30	RP8102B30	Housing body	1
31	RP8102B31	Trigger	1
32	RP8102B32	Spring	1
33	RP8102B33	Rubber spring	1
34	RP8102B34	Steel ball	1
35	RP8102B35	Reverse lever	1

Index	Parts No.	Description	Quantity
36	RP8102B36	Reverse bushing	1
37	RP8102B37	O-ring	1
38	RP8102B38	Valve stem	1
39	RP8102B39	Spring pin	1
40	RP8102B40	Retaining ring	1
41	RP8102B41	Silencer stopper	1
42	RP8102B42	Filter	1
43	RP8102B43	Ail screen (brass)	1
44	RP8102B44	Spring pin	1
45	RP8102B45	Valve seat	1
46	RP8102B46	Valve	1
47	RP8102B47	Valve spring	1
48	RP8102B48	O-ring	1
49	RP8102B49	Regulator	1
50	RP8102B50	Spring pin	1
51	RP8102B51	Spring	1
52	RP8102B52	Steel ball	1
53	RP8102B53	O-ring	1
54	RP8102B54	Inlet bushing	1
55	RP8102B55	Screw	1
56	RP8102B56	Hanger hook	1
57	RP8102B57	Rubber grip	1
60	RP8102B01N	Retaining Ring	1
61	RP8102B02N	Washer	1
62	RP8102B03N	Quick Change Spring	1
63	RP8102B04N	Change Sleeve	1
64	RP8102BU12	Spindle (single bit)	1
65	RP1120122	Steel Ball	2