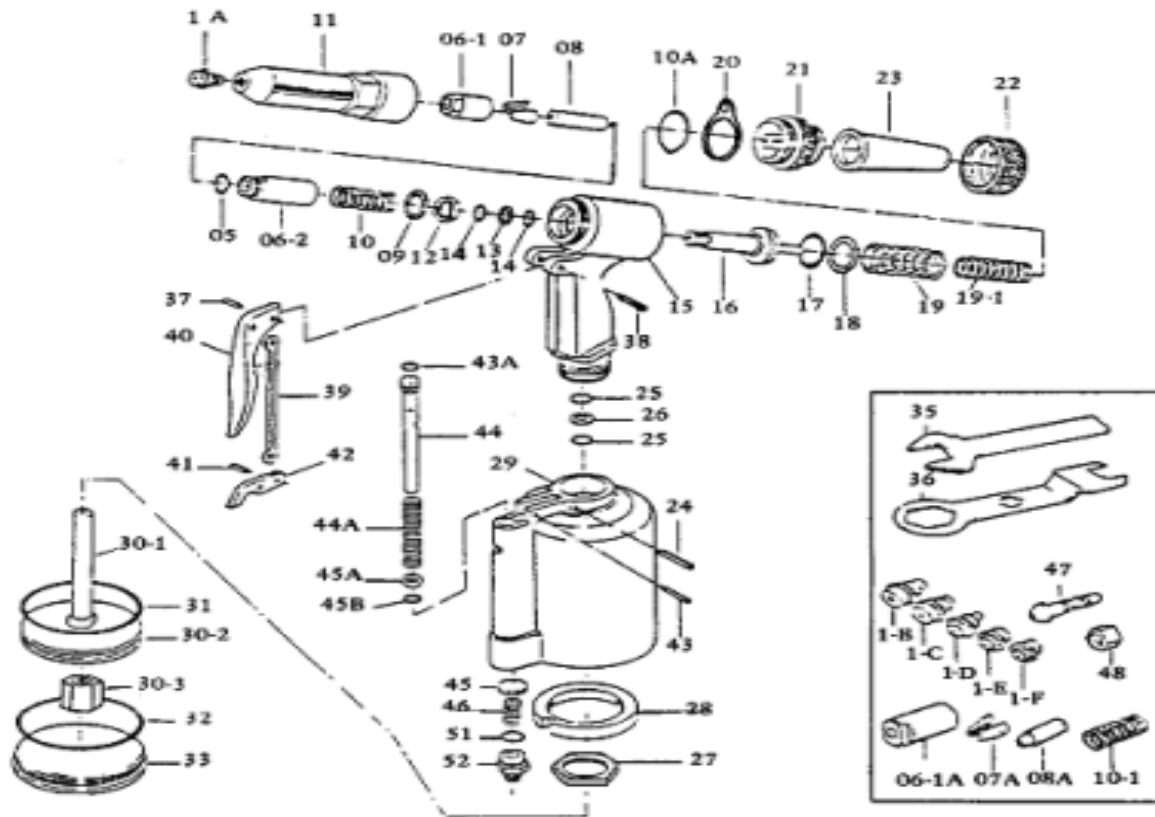


- NL** Blindklingnageltang
- GB** Air Riveter
- D** Blindnietgerät
- F** Riveteuse
- I** Chiodatrici
- DK** Blindnietpistole
- N** Blindnagleverktøy

- RC 192
- RC 192
- RC 192
- RC 192
- RC 192
- RC 192
- RC 192



Index	Parts	Description	Quantity
1A	RP19201A	Nosepiece 3/16"	4,8
1B	RP19201B	Nosepiece 5/32"	4,0
1C	RP19201C	Nosepiece 1/8"	3,2
1D	RP19201D	Nosepiece 3/32"	2,4
1E	RP19201E	Nosepiece 1/4"	6,4
1F	RP19201F	Nosepiece 7/32"	5,5
05	RP19205	Jaw case o-ring	1
06-1	RP192061	Front part big	1
06-1A	RP192061A	Front part small	1
06-2	RP192062	End part	1
07	RA192	Jaw	2
07A	RP19207A	Jaw (small)	2
08	RP19208	Jaw pusher big	1
08A	RP19208A	Jaw pusher small	1
09	RP19109	Case washer ring	1
10	RP19210	Jaw pusher spring	1
10-1	RP19210	Jaw pusher spring	1
10A	RP19110A	Frame cap o-ring	1
11	RP19211	Frame head	1
12	RP19112	Case lock nut	1
13	RP19113	Back up ring	1
14	RPOR490	Back up o-ring	2
15	RP19215	Frame	1
16	RP19216	Oil piston	1
17	RPOR4161	Oil piston o-ring	1
18	RP19218	Back up ring	1
19	RP19219	Return spring	1
19-1	RP192191	Return spring (small)	1
20	RP19220	Hanging clip	1
21	RP19221	Frame cap	1
22	RP19222	Frame cap nut	1
23	RP19223	Safety cap	1

Index	Parts	Description	Quantity
24	RP70619	Setting screw pin	1
25	RPOR490	Back up o-ring	2
26	RP19113	Back up ring	1
27	RP19227	Frame lock nut	1
28	RP19228	Rubber cushion	1
29	RP19229	Air cylinder	1
30-1	RP192301	Air piston stem	1
30-2	RP192302	Air piston	1
30-3	RP192303	Air piston lock nut	1
31	RPOR42119	Air piston o-ring	1
32	RP19232	Cylinder o-ring	1
33	RP19233	Cylinder cap	1
35	RP19235	Spanner gauge	1
36	RP19236	Spanner	1
37	RP0731939	Connector Incl. nr.41	1
38	RP0729167	Trigger pin	1
39	RP706B38	Trigger rod	1
40	RP19240	Trigger	1
41		See Nr. 37	1
42	RP19142	Trigger lever	1
43	RP19243	Lever pin	1
43A	RP19243A	Valve pusher o-ring	1
44	RP19244	Valve pusher	1
44A	RP19244A	Valve spring	1
45	RP19145	Valve	1
45A	RP19245A	Valve collar	1
45B	RP19245B	Collar o-ring	1
46	RP19146	Valve spring (bottom)	1
47	Take 48	Inlet bushing	1
48	RP19248	Swivel coupler cmpl.	1
51	RP19151	Valve cap o-ring	1
52	RP19152	Valve cap	1

