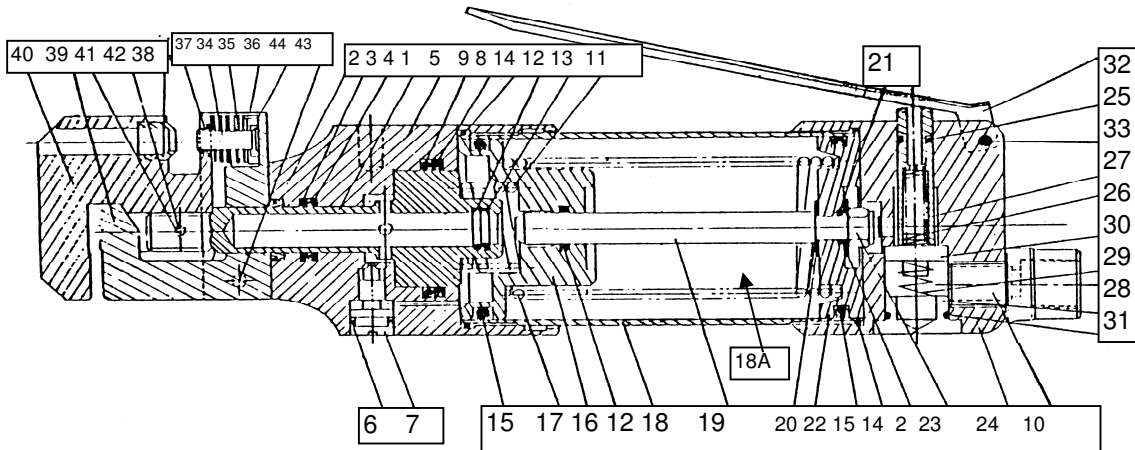


<b>NL</b>	<b>Fels- en perforeerapparaat</b>	<b>RC 236</b>
<b>GB</b>	<b>Punch and flange tool</b>	<b>RC 236</b>
<b>D</b>	<b>Absetz- und Lochgerät</b>	<b>RC 236</b>
<b>F</b>	<b>Poinçonneuse</b>	<b>RC 236</b>
<b>I</b>	<b>Fora &amp; borda lamiere</b>	<b>RC 236</b>
<b>DK</b>	<b>Lokke-og flaseværktøj</b>	<b>RC 236</b>
<b>N</b>	<b>Lokke-og falseverktøy</b>	<b>RC 236</b>



2003-05



Index	Parts No.	Description	Quantity
1	RPSM08371	Piston	1
2	RPSM08372	Packing	1
3	RPSM08373	Back up ring	1
4	RPOR3713	O-ring	1
5	RPSM08375	Cylinder	1
6	RPOR24058	O-ring	1
7	RPSM08377	Oil plug	1
8	RPSM08378	Back up ring	1
9	RPOR3460	O-ring	1
10	RPSM83710	Air inlet	1
11	RPSM83711	Spring	1
12	RPOR426	O-ring	1
13	RPSM83713	Back up ring	1
14	RPOR4386	O-ring	2
15	RPOR3466	O-ring	2
16	RPSM83716	Oil piston	1
17	RPSM83717	Spring	1
18	RPSM83718	Cylinder	1
18A	RP0810012	Plastic wrap	1
19	RPSM83719	Piston rod	1
20	RPSM83720	Washer	2
21	RPSM83721	O-ring	1
22	RPSM83722	Air piston	1
23	RPSM83723	Lock nut M6	1

Index	Parts No.	Description	Quantity
24	RPSM83724	Air valve body	1
25	RPOR3334	O-ring	1
26	RPSM83726	Spring	1
27	RPSM83727	Air valve	1
28	RPSM83728	Plug	1
29	RPSM83729	Spring	1
30	RPSM83730	Valve cover	1
31	RPSM83731	O-ring	1
32	RPSM83732	Trigger	1
33	RPSM83733	Spring pin 3x22	1
34	RPSM83734	Punch	1
35	RPSM83735	Spring	12
36	RPSM83736	Cover	1
37	RPSM83737	Guide sleeve	1
38	RPSM83738	Punching die	1
39	RPSM83739	Anvil bed	1
40	RPSM83740	Punching die bed	1
41	RPSM83741	Packing	1
42	RPSM83742	Screw M6X6 INBUS	1
43	RPSM83743	Screw	2
44	RPSM83744	Washer	1