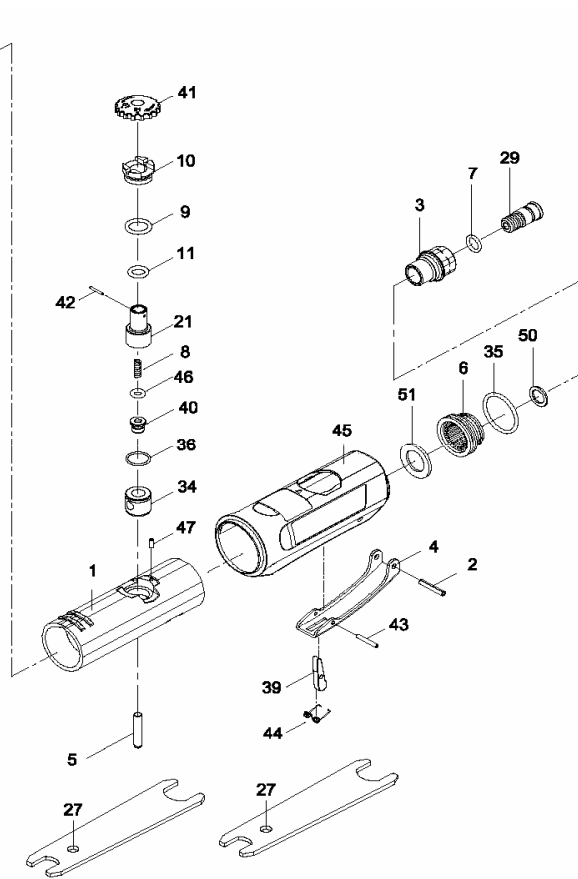
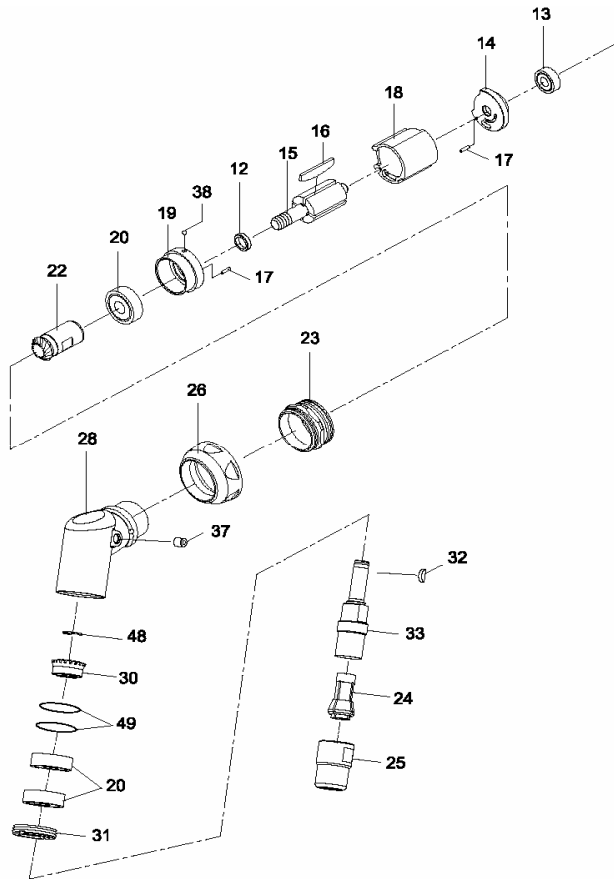


NL Stiftslijper
GB Die Grinder
D Stabschleifer
F Fraiseuse
I Smerigliatrici
DK Stift-slibemaskiner
N Håndslipere

RC 138
RC 138
RC 138
RC 138
RC 138
RC 138
RC 138



2009-09



Index	Parts No.	Description	Quantity
1	RPSM522201	Motor housing	1
2	RP0841030	Lever pin	1
3	RPSM522203	Air inlet	1
4	RPSM522204SA	Throttle lever assy	1
		incl. 39+43+44	
5	RPSM522205	Valve shaft	1
6	RPSM522206	Defector	1
7	RPOR3290	O-ring (7.5X1.5)	1
8	RPSM522208	Spring	1
9	RPOR3988	O-ring (9.0X2.0)	1
10	RPSM522210	Valve screw	1
11	RPOR3288	O-ring (5.28X1.78)	1
12	RPSM52212	Rotor spacer	1
13	RPBB696ZZ	Ball bearing	1
14	RPSM52214	Rear end plate	1
15	RPSM52215	Rotor	1
16	RP0520111	Rotor blade	4
17	RP0530116	Pin	2
18	RPSM52218	Cylinder	1
19	RPSM52219	Front end plate	1
20	RPBB608ZZ	Ball bearing	3
21	RPSM52221	Controller	1
22	RPSM52422	Pinion gear	1
23	RPSM522223	Front coupling	1
24	RA1021	Collet	1
25	RPSM52225	Collet nut	1

Index	Parts No.	Description	Quantity
26	RPSM222226	Front cap	1
27	RA1026	Spanner	2
28	RPSM52428	Head	1
29	RPSM522241	Fixed shaft	1
30	RPSM52430	Bevel gear	1
31	RPSM52231	Lock ring	1
32	RPSM52232	Key	1
33	RPSM52433	Spindle	1
34	RPSM522236	Bushing	1
35	RPSM52235	O-ring (22.8X2)	1
36	RPSM52236	O-ring (10.5X1)	1
37	RPSM56237	Oil cap	1
38	RPSM52245	Steel ball	1
39	take 4	Safety bar	1
40	RPSM522240	Throttle valve	1
41	RPSM522238	Knob	1
42	RPSM522217	Spring pin	1
43	take 4	Spring pin	1
44	RPSM51817	Spring pin	1
45	RPSM522252-15	Grip	1
46	RPOR23376	O-ring (3.8X1.9)	1
47	take 4	Spring	1
48	RPSM524212	Crescent rings	1
49	RPSM56235	Shim	2
50	RPSM522243	Washer	1
51	RPSM522250	Damping Material	1