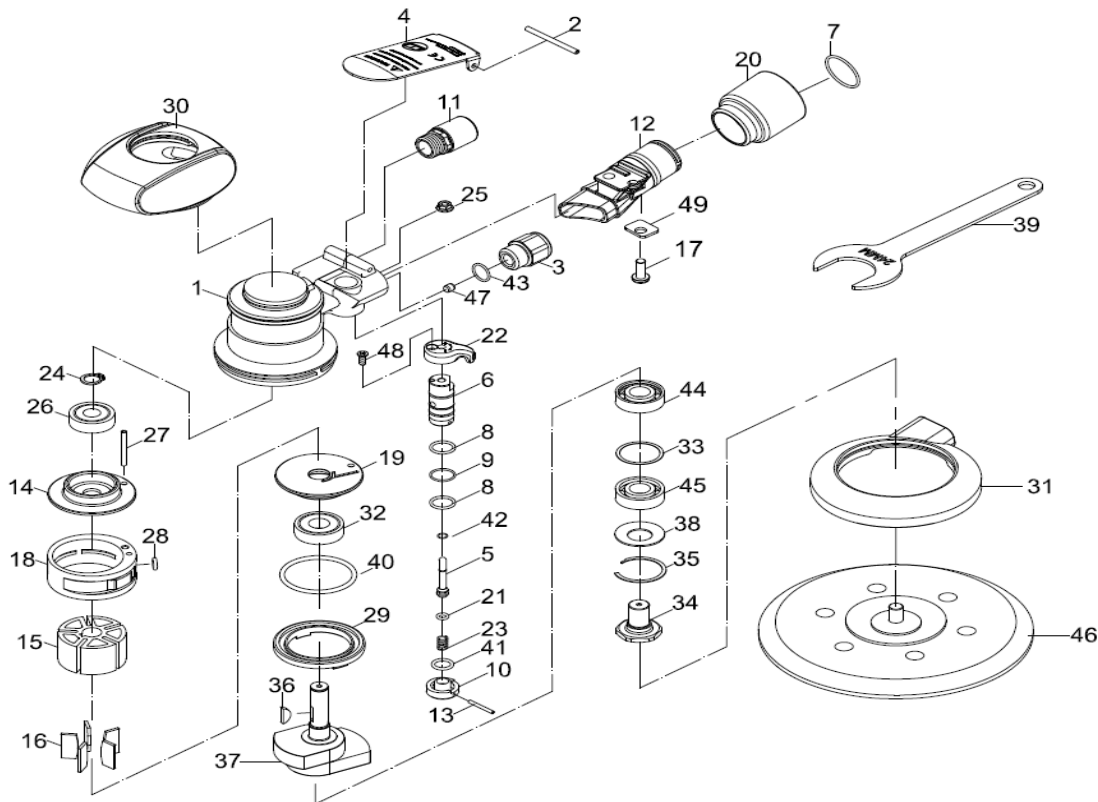


- |           |                              |                 |
|-----------|------------------------------|-----------------|
| <b>NL</b> | <b>Schuurmachine</b>         | <b>RC92461S</b> |
| <b>GB</b> | <b>Sander</b>                | <b>RC92461S</b> |
| <b>D</b>  | <b>Schleifmaschine</b>       | <b>RC92461S</b> |
| <b>F</b>  | <b>Ponceuse</b>              | <b>RC92461S</b> |
| <b>I</b>  | <b>Smerigliatrici a tela</b> | <b>RC92461S</b> |
| <b>DK</b> | <b>Slibemaskine</b>          | <b>RC92461S</b> |
| <b>N</b>  | <b>Papirslipere</b>          | <b>RC92461S</b> |



index	Parts No.	Description	Qty
1	RPSM66-5137C01	Housing	1
2	RPSMSP03004000	Spring Pin (3x40L)	1
3	RPSM66-6133C03	Air inlet	1
4	RPSM66-6133C04-0051	Throttle Lever	1
5	RPSM66-6133C05	Shaft	1
6	RPSM66-5137C06	Bushing	1
7	RPSMOR02105105	O-Ring (21.5x1.5)	1
8	RPSMOR01007105	O-Ring (10.7x1.5)	2
9	RPOR41663	O-Ring (10.5x1)	1
10	RPSM66-5137C11	Lock Seat	1
11	RPSM66-6133C26-11S	Silencer	1
12	RPSM66-6133C12	Adapter	1
13	RPSM51542	Spring Pin (2x18L)	1
14	RPSM66-6133C14	Rear End Plate	1
15	RPSM66-5137C15	Rotor	1
16	RPSM66-5137C16	Rotor Blade(5)	1
17	RPSM66-6133C17	Screw (M5x10)	1
18	RPSM66-5137C18	Cylinder	1
19	RPSM66-6133C19	Front End Plate	1
20	RPSM66-6133C20	Swivel Exhaust	1
21	RPOR3286	O-Ring (3.68x1.78)	1
22	RPSM66-5137C10	Regulator	1
23	RPSM66-6133C08	Spring	1
24	RPSM66-6132A12	Retainer Ring	1
25	RPSM66-6133C32	Nut (M5*0.8)	1
26	RPBB6000ZZ	Ball Bearing (6000zz)	1

index	Parts No.	Description	Qty
27	RPSMSP03002800	Spring Pin (3x28)	1
28	RPOR3935	O-Ring (5x2)	1
29	RPSM66-6133C29	Lock Ring (RPA0001)	1
30	RPSM66-5137C30	Grip Hat	1
31	RPSM66-6135C31	Shroud	1
32	RPSM06001ZZ	Ball Bearing	1
33	RPSM66-6132A13	Washer	1
34	RPSM66-6132A34	Shaft	1
35	RPSM60-613135	Snap Ring	1
36	RPSM61934	Key (3x13)	1
37	RPSM66-6132A37	Balancer Shaft	1
38	RPSM60-613139	Washer	1
39	RPSM66-6132A54	Spanner	1
40	RPSMOR03904301	O-Ring (39.4x3.1)	1
41	RPSMOR00705105	O-Ring (8.8x1.7)	1
42	RPSMOR00200100	O-Ring (2x1)	1
43	RPOR5517	O-Ring (13.5x1.5)	1
44	RPBB6001	Ball Bearing (6001)	1
45	RPSM06001P	Ball Bearing (6001P)	1
46	RAP2960150S	Pad - 150mm (15 holes)	1
47	RPSM66-6133C22	Stopper	1
48	RPSM61035	Screw	1
49	RPSM666133A11	Washer	1