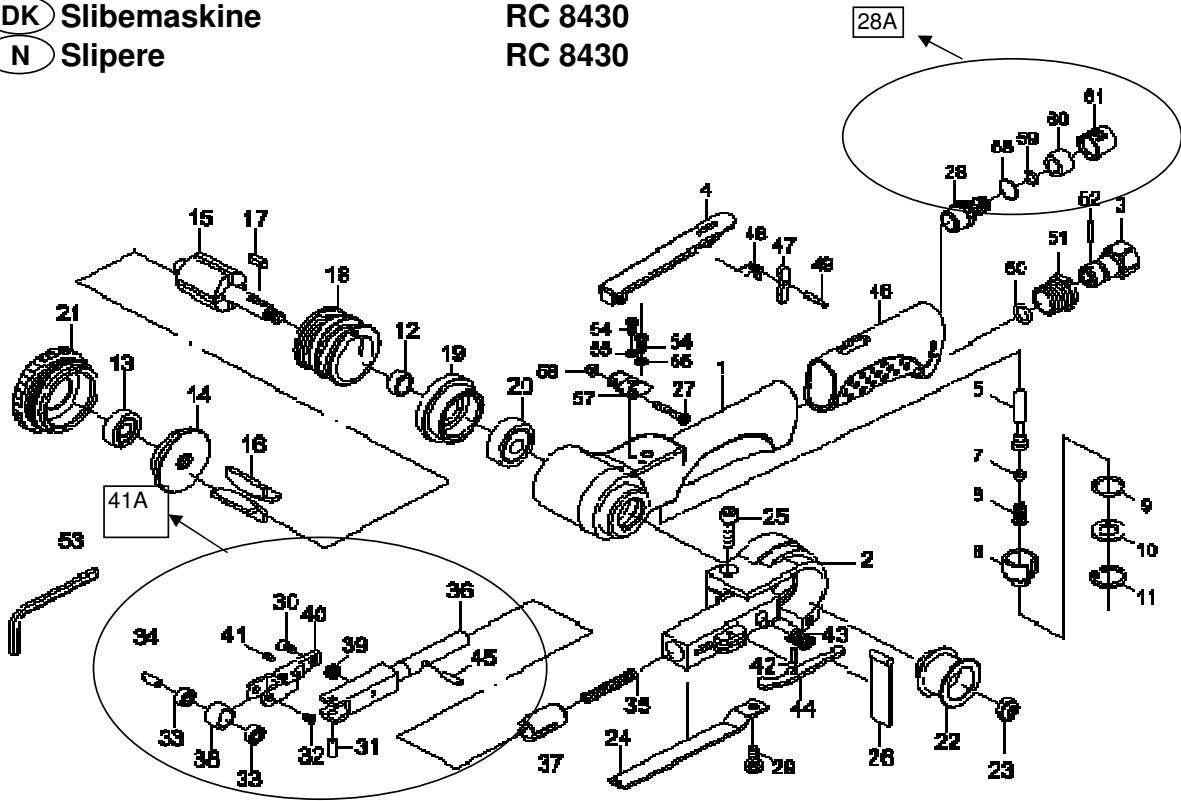


- NL** Slijper
- GB** Grinder
- D** Schleifmaschine
- F** Meuleuse
- I** Smerigliatrici
- DK** Slibemaskine
- N** Slipere

- RC 8430
- RC 8430
- RC 8430
- RC 8430
- RC 8430
- RC 8430
- RC 8430



2008-08



Index	Parts No.	Description	Quantity
1	RPSM61001	MOTOR HOUSING	1
2	RPSM61002	GUARD	1
3	TAKE*	AIR INLET	1
4	RPSM61-620004	THROTTLE LEVER	1
5	RPSM62005	VALVE STEM	1
6	RPSM62006	VALVE	1
7	RPSM30107	O-RING	1
8	RPSM62008	SPRING	1
9	RPSM62009	O-RING	1
10	RPSM62010	SPACER	1
11	RPSM62011	RETAINING RING	1
12	RPSM61012	SPACER	1
13	RPBB607ZZ	BALL BEARING	1
14	RPSM61014	REAR END PLATE	1
15	RPSM61015	ROTOR	1
16	RPSM61016	ROTOR BLADE (4)	4
17	RPSM61017	KEY	1
18	RPSM61018	CYLINDER	1
19	RPSM61019	FRONT END PLATE	1
20	RPBB628ZZ	BALL BEARING	1
21	RPSM61021	CAP	1
22	RPSM61222	DRIVE PULLEY	1
23	RPSM63042	HEXAGON NUT	1
24	RPSM61024	SHOE	1
25	RPECS05X16	BOLT	1
26	RPSM61026	DUST COVER	1
27	6T-620030	SCREW	1
28	RP66-6133C23	EXHAUST SHAFT	1
28A	RP66-6133C23-S	SILENCER COMPL.	1
29	RPSM62032	SCREW	1
*	RPK61-620003	AIR INLET ASSEMBLY	1

Index	Parts No.	Description	Quantity
30	RPSM61035	SCREW	1
31	RPSM61036	SPRING PIN	1
32	RPSM61037	SCREW	1
33	RPBB684ZZ	BALL BEARING (2)	2
34	RPSM61039	IDLE PULLEY SHAFT	1
35	RPSM61040	SPRING	1
36	RPSM61041	TENSION BAR	1
37	RPSM61042	BUSHING	1
38	RPSM61043SA	IDLE PULLEY INCL. 33	1
39	RPSM61044	SPRING	1
40	RPSM61045	BRACKET	1
41	RPSM61046	SCREW	1
41A	RPSM61041SA	TENSION BAR COMPLETE	1
42	RPSM61048	SPRING PIN	1
43	RPSM61049	SPRING	1
44	RPSM61050	SAFETY LEVER	1
45	RPSM61249	LOCK PIN 3X11,8	1
46	RPSM61-620052	GRIP	1
47	RPSM51540-228	SAFETY BAR	1
48	RPSM51541-12	SPRING	1
49	RPMSM40337	SPRING PIN	1
50	RPMSMOR00705105	O-RING	1
51	TAKE *	SCREW	1
52	TAKE *	PIN	1
53	HA1062	HEX. KEY WRENCH (4MM)	1
54	RPSM61-620032	SCREW (2)	2
55	RPSM61-620047	SPRING WASHER (2)	2
56	RPSM61-620034	NUT	1
57	RPSM61-620031	LEVER SUPPORT	1
58	RP82209	O-RING (14x1)	1
59	RP76010	O-RING (5,8x1,9)	1
60	RP66-6133C25	MUFFLER	1
61	RP66-6133C24	EXHAUST SLEEVE	1