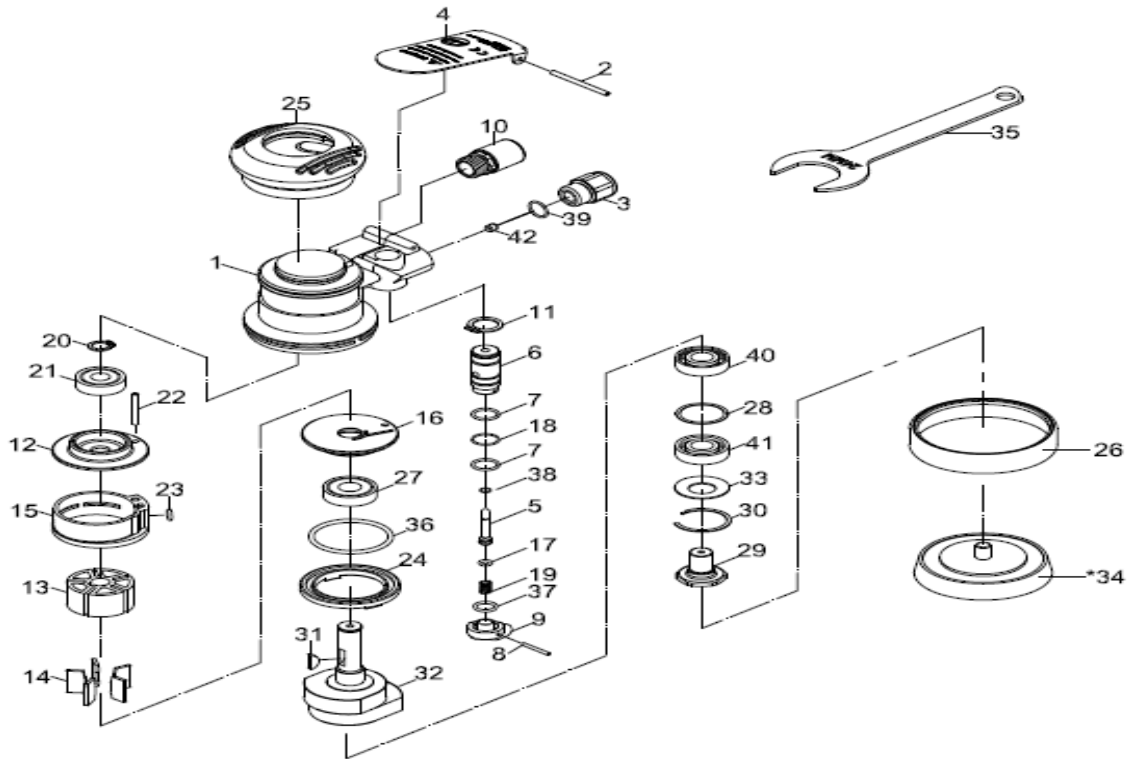


<b>NL</b>	<b>Schuurmachine</b>	<b>RC9332S</b>
<b>GB</b>	<b>Sander</b>	<b>RC9332S</b>
<b>D</b>	<b>Schleifmaschine</b>	<b>RC9332S</b>
<b>F</b>	<b>Ponceuse</b>	<b>RC9332S</b>
<b>I</b>	<b>Smerigliatrici a tela</b>	<b>RC9332S</b>
<b>DK</b>	<b>Slibemaskine</b>	<b>RC9332S</b>
<b>N</b>	<b>Papirslipere</b>	<b>RC9332S</b>



Index	Parts No.	Description	Qty
1	RPSM66-6133C01	Housing	1
2	RPSMSP03004000	Spring Pin (3x40L)	1
3	RPSM66-6133C03	Air Inlet	1
4	RPSM66-6133C04	Throttle Lever	1
5	RPSM66-6133C05	Shaft	1
6	RPSM66-6133C06	Bushing	1
7	RPSMOR01007105	O-Ring(10.7x1.5)	2
8	RPSM51542	Spring Pin (2x18L)	1
9	RPSM66-6133C10	Regulator	1
10	RPSM66-6133C26-11S	Silencer	1
11	RPSMSTW14	Retaining Ring (STW-14)	1
12	RPSM66-6133C14	Rear End Plate	1
13	RPSM66-6132A15	Rotor	1
14	RPSM66-6132A16	Rotor Blade	5
15	RPSM66-6133C18	Cylinder	1
16	RPSM66-6133C19	Front End Plate	1
17	RPOR3286	O-Ring (3.68x1.78)	1
18	RPOR41663	O-Ring (10.5x1)	1
19	RPSM66-6133C08	Spring	1
20	RPSM66-6132A12	Retainer Ring	1
21	RPBB6000ZZ	Ball Bearing <sup>6000</sup> Z—,m	1
22	RPSMSP03002800	Spring Pin (3x28)	1
23	RPOR3935	O-Ring (5x2)	1
24	RPSM66-6133C29	Lock Ring	1
25	RPSM66-6133C30	Grip Hat	1
26	RPSM63-513731	Shroud	1

Index	Parts No.	Description	Qty
27	RPBB6001ZZ	Ball Bearing (6001ZZ)	1
28	RPSM66-6132A13	Washer	1
29	RPSM66-6132A34	Shaft	1
30	RPSM60-613135	Snap Ring	1
31	RPSM61934	Key (3x13)	1
32	RPSM66-6132A37	Balancer Shaft	1
33	RPSM60-613139	Washer	1
34 *	RAP2831301S	Pad (3")	1
35	RPSM66-6132A54	Spanner	1
36	RPSMOR03904301	O-Ring (39.4x3.1)	1
37	RPSMOR00705105	O-Ring (8.8x1.7)	1
38	RPSMOR00200100	O-Ring (2x1)	1
39	RPOR5517	O-Ring (13.5x1.5)	1
40	RPBB6001	Ball Bearing (6001)	1
41	RPSM06001P	Ball Bearing (6001P)	1
42	RPSM66-6133C22	Stopper	1

\* optional part