

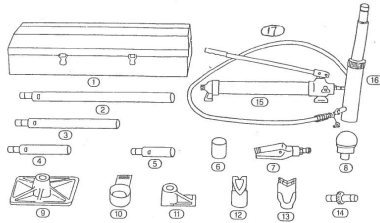
**NL** TL810N    **Uitdeukset hydraulisch**  
**GB** TL810N    **Hydraulic body repair kit**  
**D** TL810N    **Hydraulische Ausbeulsatz**  
**F** TL810N    **Vérin carrossier hydraulique**



2013-04

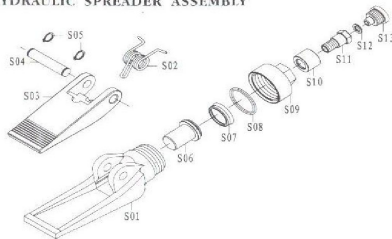
**KNOW YOUR BODY REPAIR KIT**

10 TON



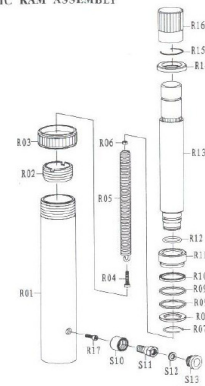
Index	Parts No.	Description	Qty
1	TL810N01	Metal storage case	1
2	TL810N02	685mm Extension bar	1
3	TL810N03	456mm Extension bar	1
4	TL810N04	250mm Extension bar	1
5	TL810N05	127mm Extension bar	1
6	TL810N06	Serrated cap	1
7	TL810N07	Spreading wedge	1
8	TL810N08	Rubber head	1
9	TL810N09	Base plate	1
10	TL810N10	Ram toe	1
11	TL810N11	Plunger toe	1
12	TL810N12	Cleft cap	1
13	TL810N13	"V" base	1
14	TL810N14	Male connector	1
15	TL810N15	4Ton pump unit	1
16	TL810N16	Ram unit	1
17	TL810N17	Hydraulic Hose	1

**PARTS LISTING AND DRAWING  
HYDRAULIC SPREADER ASSEMBLY**



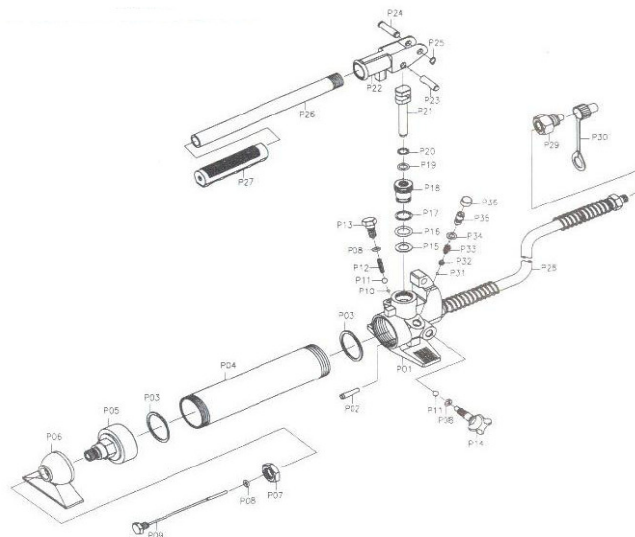
Index	Parts No.	Description	Qty
S01	TL810NS01	Lower duck bill	1
S02	TL810NS02	Spring	1
S03	TL810NS03	Upper duck bill	1
S04	TL810NS04	Pivot pin	1
S05	TL810NS05	Cir clip	1
S06	TL810NS06	Piston	1
S07	TL810NS07	Cup seal	1
S08	TL810NS08	O-ring	1
S09	TL810NS09	End cap	1
S10	take TL810P42	Coupling ring	1
S11	take TL810P42	Coupling bolt	1
S12	take TL810P42	O-ring	1
S13	take TL810P42	Dust cap	1
	TL810P42	Set S10-S11-S12-S13	1

**HYDRAULIC RAM ASSEMBLY**



Index	Parts No.	Description	Qty
R01	TL810NR01	Cylinder	1
R02	TL810NR02	Retainer nut	1
R03	TL810NR03	Protecting cap	1
R04	TL810NR04	Screw	1
R05	TL810NR05	Spring	1
R06	TL810NR06	Hex Nut	1
R07	TL810NR07	Cir clip	1
R08	TL810NR08	Washer	1
R09	TL810NR09	O-ring	1
R10	TL810NR10	Cup	1
R11	TL810NR11	Piston ring	1
R12	TL810NR12	O-ring	1
R13	TL810NR13	Ram	1
R14	TL810NR14	Spacing ring	1
R15	TL810NR15	Cir clip	1
R16	TL810NR16	Protecting cap	1
R17	TL810NR17	Screw	1

**Spare parts listing**



Index	Parts No.	Description	Qty
P1	TL810NP01	Pump housing	1
P2	TL810NP02	Filler	1
P3	TL810NP03	Seal	1
P4	TL810NP04	Reservoir end cap	1
P5	TL810NP05	Reservoir end cap	1
P6	TL810NP06	Pump foot	1
P7	TL810NP07	Hex nut	1
P8	TL810NP08	O-ring	1
P9	TL810NP09	Dip stick	1
P10	TL810NP10	Ball valve	1
P11	TL810NP11	Ball valve	1
P12	TL810NP12	Spring	1
P13	TL810NP13	Overload screw	1
P14	TL810NP14	Release valve stem	1
P15	TL810NP15	Seal	1
P16	TL810NP16	O-ring	1
P17	TL810NP17	Back up ring	1
P18	TL810NP18	Clamping nut	1
P19	TL810NP19	O-ring	1
P20	TL810NP20	Back up ring	1
P21	TL810NP21	Piston	1
P22	TL810NP22	Handle bracket	1
P23	TL810NP23	Piston pin	1
P24	TL810NP24	Bracket pin	1
P25	TL810NP25	Cir clip	1
P26	TL810NP26	Pump handle	1
P27	TL810NP27	Handle grip	1
P28	TL810NP28	Hose	1
P29	TL810NP29	Coupling	1
P30	TL810NP30	Dust cap	1
P31	TL810NP31	Ball valve	1
P32	TL810NP32	Spring plunger	1
P33	TL810NP33	Spring	1
P34	TL810NP34	O-ring	1
P35	TL810NP35	Screw (Safety valve)	1
P36	TL810NP36	Plastic cap	1