

RA8890 & RA8894

Professional Cable Reel Instruction Manual



WARNING:

Read carefully and understand all **INSTRUCTIONS** before operating. Failure to follow the safety rules and other basic safety precautions may result in serious personal injury. Save these instructions in a safe place and on hand so that they can be read when required. Keep these instructions to assist in future servicing.

GENERAL SAFETY REGULATIONS



WARNING: The warnings, cautions, and instructions discussed in this instruction manual cannot cover all possible conditions or situations that could occur. It must be understood by the operator that common sense and caution are factors that cannot be built into this product, but must be supplied by the operator.

1. Keep the work area clean and dry. Damp or wet work areas can result in injury.
2. Keep children away from work area. Do not allow children to handle this product.
3. Use the right tool for the job. Do not attempt to force small equipment to do the work of larger industrial equipment. There are certain applications for which this equipment was designed. It will do the job better and more safely at the capacity for which it was intended. Do not modify this equipment, and do not use this equipment for a purpose for which it was not intended.
4. Check for damaged parts. Before using this product, carefully check that it will operate properly and perform its intended function. Check for damaged parts and any other conditions that may affect the operation of this product. Replace damaged or worn parts immediately.
5. Do not overreach. Keep proper footing and balance at all times to prevent tripping, falling, back injury, etc.
6. DO NOT use the equipment when tired or under the influence of drugs, alcohol, or medication. A moment of inattention while operating this equipment may result in serious personal injury

Your risk from these exposures varies, depending on how often you do this type of work. To reduce your exposure to these chemicals: work in a well ventilated area, and work with approved safety equipment, such as those dust masks that are specially designed to filter out microscopic particles.

TECHNICAL DETAILS

Item No.	Cable Specification					Volt (V)	Wound Watts	Unwound Watts
	Sectional Area (mm ²)	Number of Core	Plug Socket	Type	Length (ft)			
26813203-11	1.5	3	Industry	H07RN-F	20	230	1000	2000
26813203-21	1.5	3	Denmark	H07RN-F	20	230	1000	2000
26813203-31	1.5	3	Germany	H07RN-F	20	230	1000	2000
26813203-41	1.5	3	France	H07RN-F	20	230	1000	2000
26813203-51	1.5	3	Switzerland	H07RN-F	20	230	1000	2000
26813203-61	1.5	3	Britain	H07RN-F	20	230	1000	2000
26813203-13	1.5	3	Industry	H05VV-F	20	230	1000	2000
26813203-23	1.5	3	Denmark	H05VV-F	20	230	1000	2000
26813203-33	1.5	3	Germany	H05VV-F	20	230	1000	2000
26813203-43	1.5	3	France	H05VV-F	20	230	1000	2000
26813203-53	1.5	3	Switzerland	H05VV-F	20	230	1000	2000
26813203-63	1.5	3	Britain	H05VV-F	20	230	1000	2000
26813153-11	1.5	3	Industry	H07RN-F	15	230	1000	2000
26813153-21	1.5	3	Denmark	H07RN-F	15	230	1000	2000
26813153-31	1.5	3	Germany	H07RN-F	15	230	1000	2000
26813153-41	1.5	3	France	H07RN-F	15	230	1000	2000
26813153-51	1.5	3	Switzerland	H07RN-F	15	230	1000	2000
26813153-61	1.5	3	Britain	H07RN-F	15	230	1000	2000
26813153-13	1.5	3	Industry	H05VV-F	15	230	1000	2000
26813153-23	1.5	3	Denmark	H05VV-F	15	230	1000	2000
26813153-33	1.5	3	Germany	H05VV-F	15	230	1000	2000
26813153-43	1.5	3	France	H05VV-F	15	230	1000	2000
26813153-53	1.5	3	Switzerland	H05VV-F	15	230	1000	2000
26813153-63	1.5	3	Britain	H05VV-F	15	230	1000	2000
26813201-11	2.5	3	Industry	H07RN-F	20	230	1600	3200
26813201-21	2.5	3	Denmark	H07RN-F	20	230	1600	3200
26813201-31	2.5	3	Germany	H07RN-F	20	230	1600	3200
26813201-41	2.5	3	France	H07RN-F	20	230	1600	3200
26813201-51	2.5	3	Switzerland	H07RN-F	20	230	1600	3200
26813201-61	2.5	3	Britain	H07RN-F	20	230	1600	3200
26813201-13	2.5	3	Industry	H05VV-F	20	230	1600	3200
26813201-23	2.5	3	Denmark	H05VV-F	20	230	1600	3200
26813201-33	2.5	3	Germany	H05VV-F	20	230	1600	3200
26813201-43	2.5	3	France	H05VV-F	20	230	1600	3200
26813201-53	2.5	3	Switzerland	H05VV-F	20	230	1600	3200
26813201-63	2.5	3	Britain	H05VV-F	20	230	1600	3200
26813151-11	2.5	3	Industry	H07RN-F	15	230	1600	3200
26813151-21	2.5	3	Denmark	H07RN-F	15	230	1600	3200
26813151-31	2.5	3	Germany	H07RN-F	15	230	1600	3200
26813151-41	2.5	3	France	H07RN-F	15	230	1600	3200
26813151-51	2.5	3	Switzerland	H07RN-F	15	230	1600	3200
26813151-61	2.5	3	Britain	H07RN-F	15	230	1600	3200

TECHNICAL
DETAILS

SAFETY
PRECAUTIONS

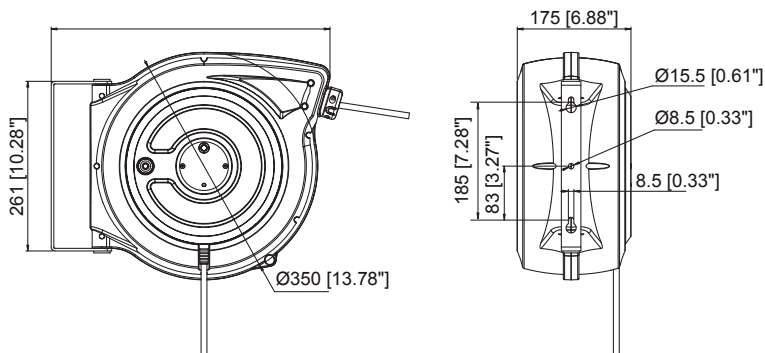
INSTALLATION

OPERATION

MAINTENANCE

LIMITED
WARRANTY

EXPLODED AND
PARTS LIST



SAFETY PRECAUTIONS

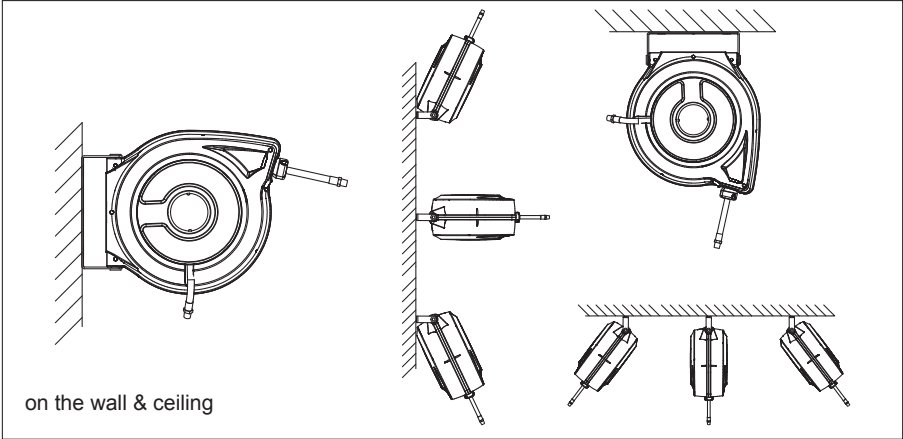


WARNING:

1. Read carefully and understand all INSTRUCTIONS before operating. Failure to follow the safety rules and other basic safety precautions may result in serious personal injury.
2. Save these instructions in a safe place and on hand so that they can be read when required. Keep these instructions to assist in future servicing.
3. The warnings, cautions, and instructions discussed in this instruction manual cannot cover all possible conditions or situations that could occur. It must be understood by the operator that common sense and caution are factors which cannot be built into this product, but must be supplied by the operator.
4. Exposure of skin directly to pressurized air, or fluids could result in severe bodily injury.
5. Ensure that only the qualified electrician can install/service this cable reel. And it must not be used by children or unskilled persons.
6. Ensure that power supply voltage does not exceed maximum voltage rating of reel.
7. Ensure that reel is properly be installed before connecting to power supply.
8. Ensure that all electrical power is removed from reel before servicing.
9. Check for frayed and broken wires before each use.
10. When pull electrical cable from the reel always grasp the electrical cable itself, not the work device.
11. Remove power from the reel immediately when any malfunction occurs.
12. Never remove, tamper with or cut the safety devices fitted by the manufacture.
13. Do not use the reel in damp or wet conditions. Keep the work area is clean. Avoid put in sundries reel.

INSTALLATION

1. Unpack and inspect reel for damage. Turn by hand to check for smooth operation. Check for completeness.
2. The cable reel must be installed in premises conforming to current regulation and standards covering systems and work environments.
3. Secure the cable reel to the wall and the ceiling according to the installation diagrams. Using screw anchors or suitable screws which must be fitted in the holes in the brackets.
4. Adjust the cable stopper to the suitable position when required.



OPERATION

1. Check reel for correct operation by slowly pulling out the cable.
2. To latch the reel, slowly pull out the cable to any point, Relax the cable to stop. **Note:** it can not exceed the back end mark. When the cable is pulled out,
3. To unlatch the reel, slowly pull the hose after relax, and then let the cable retract until the cable stop rests against the cable guide.
4. When over loading, the thermal cut-out will cut off automatically, then push the red button until restore. **Note:** To avoid damage to the reel, always hold on to the cable while it is rewinding.

MAINTENANCE

1. Make sure the Cord is in proper working order.
2. Clean the Cord with a cloth dipped in warm water to remove dirt or deposits and ensure correct rewinding.
3. Do not use detergents or solvents which could prove incompatible with cable-winder materials.
4. Dismantling of the unit by unskilled personal could prove hazardous; the risk involved mainly concern the preloaded springs.

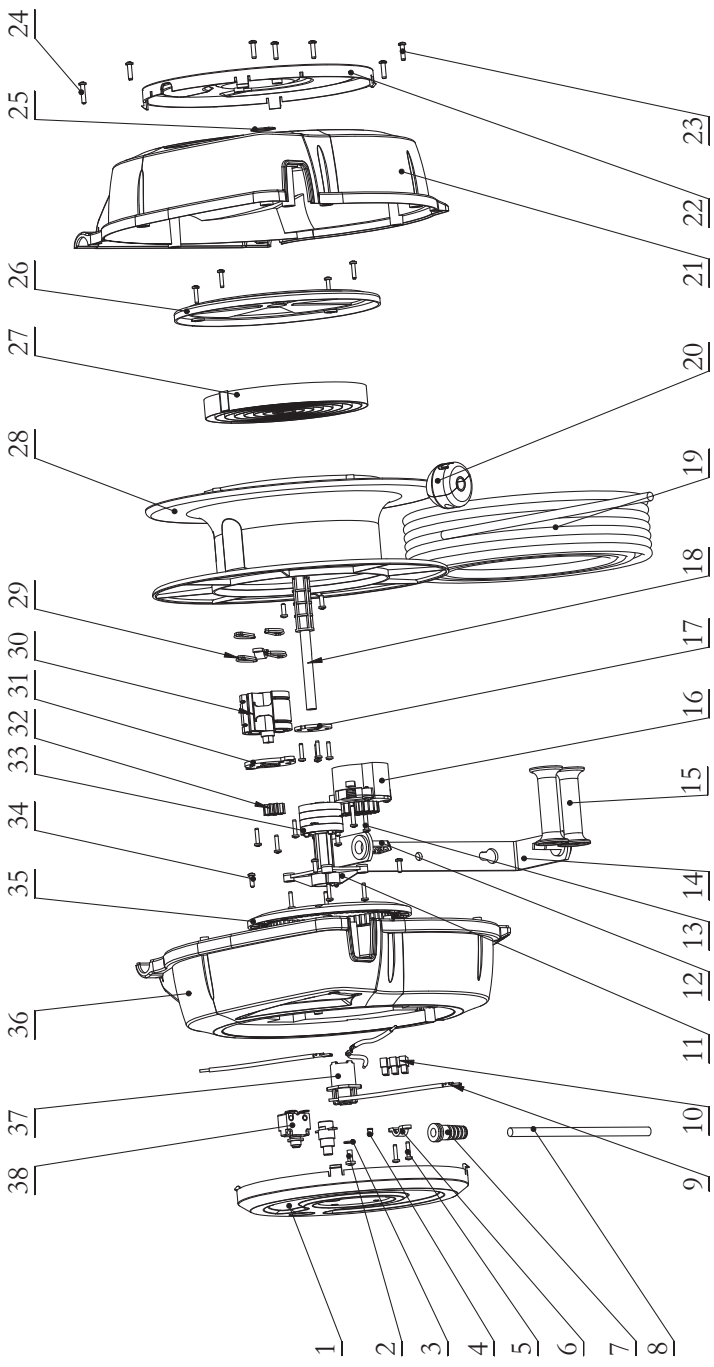
TROUBLESHOOTING

Failure: The cable can't be Conduction

Possible cause: Overload or overheat protection

Corrective Action: Press the red button on the side cover

EXPLODED AND PARTS LIST



Part No.	Description	Q'ty	Part No.	Description	Q'ty
1	Left side cover	1	20	Stop block assembly	1
2	Screws M5x12	1	21	Right shell	1
3	Washer	1	22	Right side cover	1
4	Indicator light	1	23	Screws PT4.5x16	7
5	Screws ST3.5x16	19	24	Screws ST4.2x22	2
6	Cable clamp	2	25	Shaft ring	1
7	Cable protective sleeve	1	26	Spring cover	1
8	Import cable	1	27	Spring	1
9	Wireway	4	28	Drum	1
10	Connector	1	29	O-ring	4
11	Support plate	1	30	Buffer	1
12	Fixed pin	2	31	Cover	1
13	Screws PT4.0x20	3	32	Gear	1
14	Base	1	33	Slip ring	1
15	Roller	2	34	Screws PT4.0x12	6
16	Stop at any point assembly	1	35	Gear	1
17	Baffle	1	36	Left shell	1
18	Supporting shaft	1	37	Support sleeve	1
19	Cable	1	38	Thermostat	1

TECHNICAL
DETAILS

SAFETY
PRECAUTIONS

INSTALLATION

OPERATION

MAINTENANCE

LIMITED
WARRANTY

EXPLODED AND
PARTS LIST

