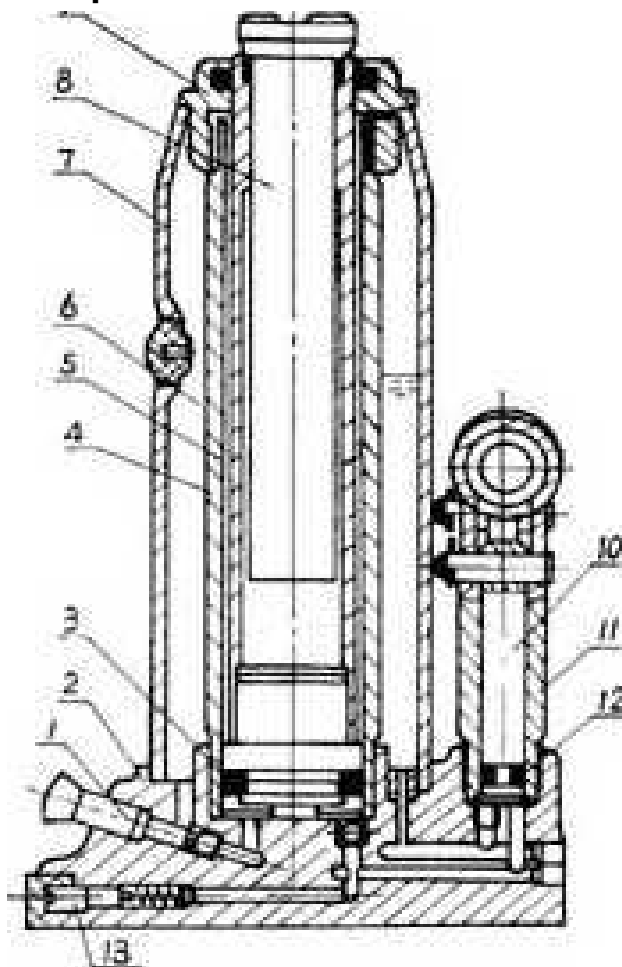


(NL) Potkrik
 (GB) Bottle Jack
 (D) Flaschenwagenheber
 (F) Cric portatif

TL106N
 TL106N
 TL106N
 TL106N



2013-02



Index	Parts no.	Description	Qty
1	TL102N01	Release valve lever	1
2	TL102N02	Base	1
3	TL102N03	O - Ring	1
4	TL102N04	Hydraulic cylinder	1
5	TL102N05	Ram	1
6	TL102N06	Hydraulic Oil	1
7	TL102N07	Oil-tight tank	1
8	TL102N08	Extension screw	1
9	TL102N09	Top cap	1
10	TL102N10	Pump plunger	1
11	TL102N11	Pump body	1
12	TL102N12	O - Ring	1
13	TL102N13	Safety valve	1