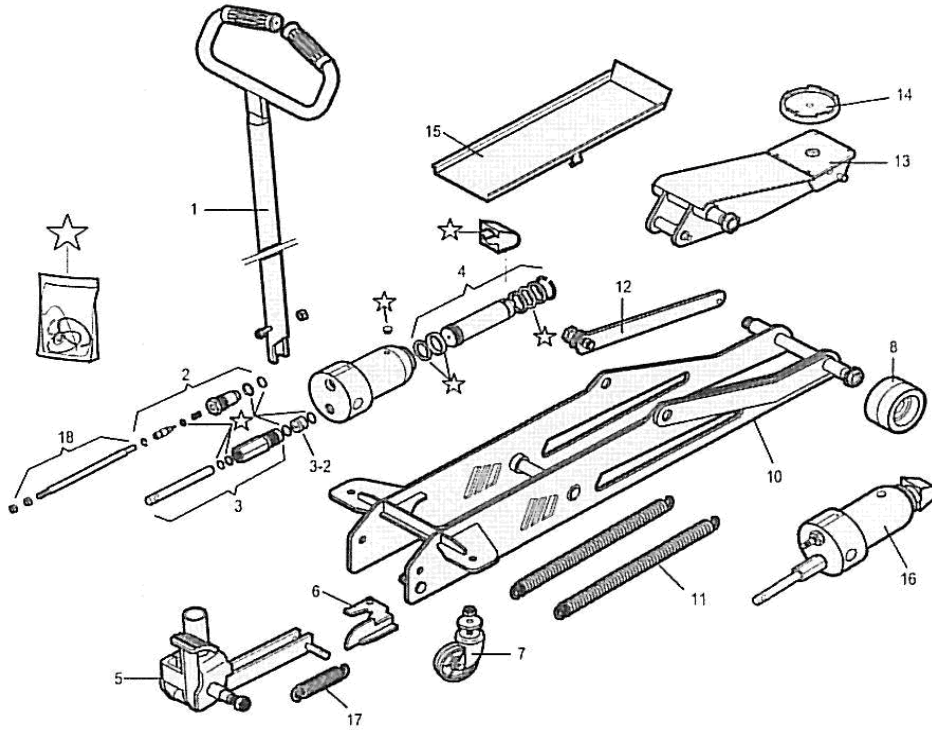


RQGC6N RQGC10N RQGC12N



2010-05



No	Description	RQGC6N	RQGC10N	RQGC12N
	Capacity	6 t	10 t	12 t
1	Handle	PQMT2-C21M-1	PQMT2-C21M-1	PQMT2-C21M-1
2	Nut ass.	PQMT6-C11M	PQMT6-C11M	PQMT6-C11M
3	Pump cyl.	PQMT3-C8M	PQMT3-C8M	PQMT3-C8M
3+2	Valve	PQMT6-C10M	PQMT12-C10M	PQMT12-C10M
4	Main piston	PQMT6-C14M	PQMT12-C14M	PQMT12-C14M
5	Foot pedal	PQMT6-C13M	PQMT10-C13M	PQMT10-C13M
6	Release rod	PQMT3-C47M	PQMT10-C47M	PQMT10-C47M
7	Wheel swiv.	PQMTJM-6/1214	PQMTJM-6/1214	PQMTJM-6/1214
8	Wheel ass.	PQMTJM-6-1213	PQMTJM-12-1213	PQMTJM-12-1213
10	Frame	PQMT6-C4M	PQMT10-C4M	PQMT12-C4M
11	Spring	PQMMK-30-1240	PQMMK-30-1240	PQMMK-30-1240
12	Arm link	PQMT6-C77M	PQMT10-C77M	PQMT12-C77M
13	Arm	PQMT6-C3M	PQMT10-C3M	PQMT12-C3M
14	Saddle	PQMT6-1108	PQMT6-1108	PQMT6-1108
15	Cover plate	PQMT6-C52	PQMT10-C52	PQMT10-C52
16	Hydraulic unit	PQMT6-C2	PQMT12-C2	PQMT12-C2
17	Spring	PQMTJM-6-1241	PQMMB-21-B-1241	PQMMB-21-B-1241
18	Axle ass.	PQMT6-C31	PQMT10-C31	PQMT10-C31
☆	Repairkit	PQMRT6RK	PQMRT12RK	PQMRT12RK
Cm³		775	1210	1210