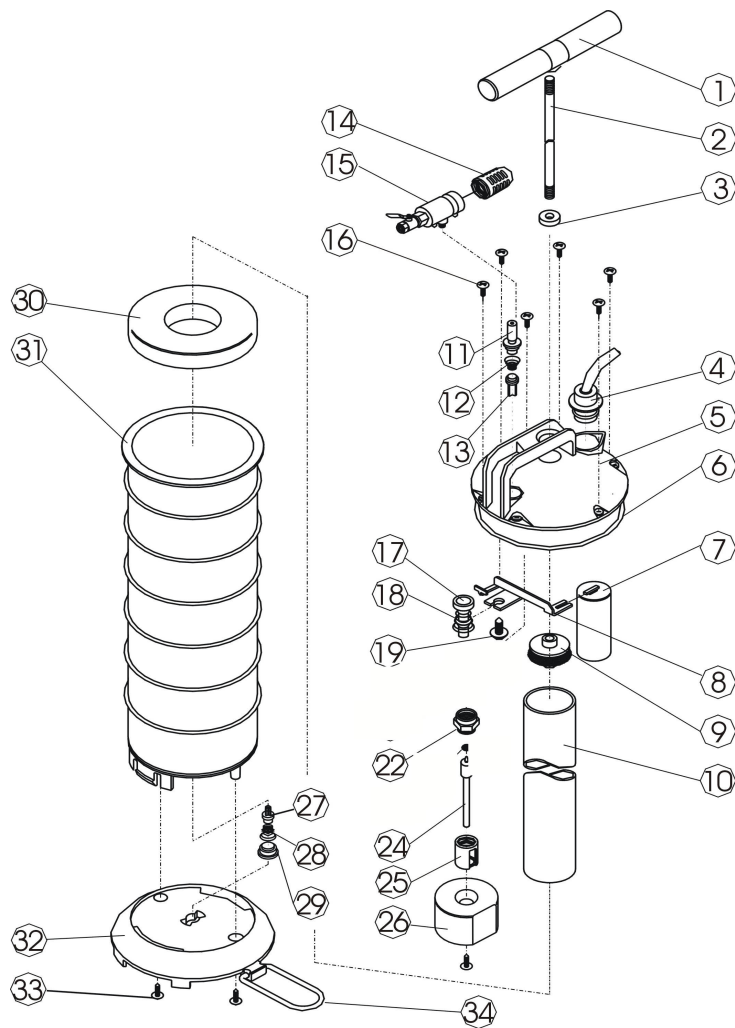


| | | |
|-----------|--------------------------------|--------------------|
| NL | Vloeistofafzuigapparaat | RC030 RC035 |
| GB | Fluid Evacuator | RC030 RC035 |
| D | Entleerungsgerät | RC030 RC035 |
| F | Evacuateur liquides | RC030 RC035 |
| I | Fluid evacuator | RC030 RC035 |
| DK | Fluid evacuator | RC030 RC035 |
| N | Fluid evacuator | RC030 RC035 |



2009-03



| Index | Parts No. | Description | Quantity |
|-------|-----------|------------------------------|----------|
| 1 | RP03001 | T-handle | 1 |
| 2 | RP03002 | Shaft | 1 |
| 3 | RP03003 | Washer | 1 |
| 4 | RP03004 | Take RA034 | 1 |
| 5 | RP03005 | Top lid | 1 |
| 6 | RP03006 | O-ring | 1 |
| 7 | RP03007 | S-float set incl. 8-17-18-19 | 1 |
| 8 | | Take 7 | 1 |
| 9 | RP03009 | Leather set | 1 |
| 10 | RP03010 | Alumin | 1 |
| 11 | RP03011 | Relief valve button | 1 |
| 14 | RP03014 | Muffler | 1 |
| 15 | RP03015 | Air inlet | 1 |
| 16 | RP03016 | Screw-T | 6 |
| 17 | | Take 7 | 1 |
| 18 | | Take 7 | 1 |

| Index | Parts No. | Description | Quantity |
|-------|-----------|--------------------------|----------|
| 19 | | Take 7 | 1 |
| 22 | RP03022 | H-float (incl. 24-25-26) | 1 |
| 24 | | Take 22 | 1 |
| 25 | | Take 22 | 1 |
| 26 | | Take 22 | 1 |
| 27 | RP03027 | Spring (including 28) | 1 |
| 28 | | Take 27 | 1 |
| 29 | RP03029 | Rubber | 1 |
| 30 | RP03030 | Float | 1 |
| 31 | RP03031 | Cylinder | 1 |
| 32 | RP03032 | Base | 1 |
| 33 | RP03033 | Screw | 6 |
| 34 | RP03034 | Foot step | 1 |
| | RA032 | Sonde 5,8 mm | 1 |
| | RA033 | Sonde 6,7 mm | 1 |
| | RA034 | Sonde 9,8 mm | 1 |
| | RA035 | Sonde for brakefluid | 1 |