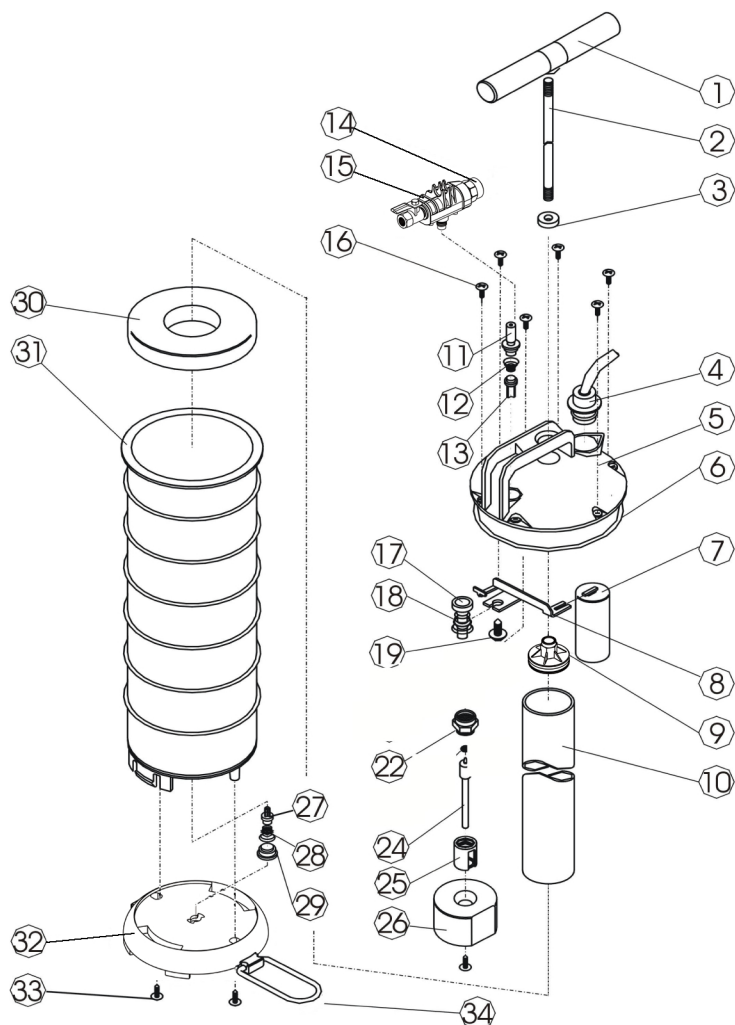


NL Vloeistofafzuigapparaat
GB Fluid Evacuator
D Entleerungsgerät
F Evacuateur liquides
I Fluid evacuator
DK Fluid evacuator
N Fluid evacuator

RC030 RC035
 RC030 RC035
 RC030 RC035
 RC030 RC035
 RC030 RC035
 RC030 RC035
 RC030 RC035

RODAC
International bv

2009-03



Index	Parts No.	Description	Quantity
1	RP03001	T-handle	1
2	RP03002	Shaft	1
3	RP03003	Washer	1
4	RP03004	Take RA034	1
5	RP03005	Top lid	1
6	RP03006	O-ring	1
7	RP03007	S-float set incl. 8-17-18-19	1
8		Take 7	1
9	RP03009	Piston set	1
10	RP03010	Alumin	1
11	RP03011	Relief valve button	1
14	RP03014	Muffler	1
15	RP03015	Vacuum Generators set	1
16	RP03016	Screw-T	6
17		Take 7	1
18		Take 7	1

Index	Parts No.	Description	Quantity
19		Take 7	1
22	RP03022	H-float (incl. 24-25-26)	1
24		Take 22	1
25		Take 22	1
26		Take 22	1
27	RP03027	Spring (including 28)	1
28		Take 27	1
29	RP03029	Rubber	1
30	RP03030	Float	1
31	RP03031	Cylinder	1
32	RP03032	Base	1
33	RP03033	Screw	6
34	RP03034	Foot step	1
	RA032	Sonde 5,8 mm	1
	RA033	Sonde 6,7 mm	1
	RA034	Sonde 9,8 mm	1
	RA035	Sonde for brakefluid	1