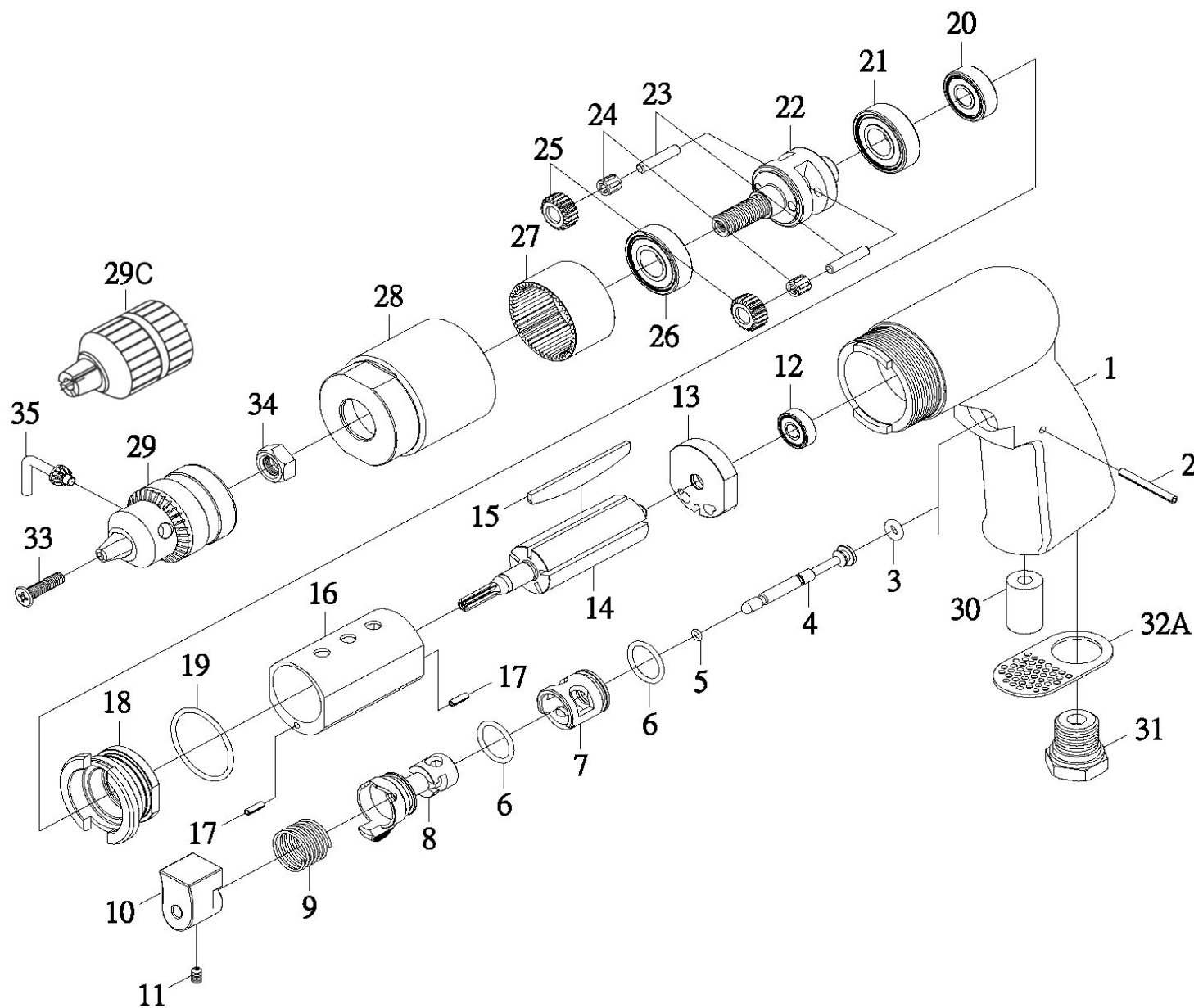


- NL** Boormachine 1021100A
- GB** Drill 1021100A
- D** Bohrmaschine 1021100A
- F** Foreuse 1021100A
- I** Trapani ad aria 1021100A
- DK** Boremaskine 1021100A
- N** Driller 1021100A



No.	Parts No.	Description	Q'ty	No.	Parts No.	Description	Q'ty
1	RPSU4233-01	Housing	1	20	RPBB608ZZ	Ball Bearing	1
2	RPSU4233-02	Pin	1	21	RPBB6001ZZ	Ball Bearing	1
3	RPSU4233-03	O-Ring	1	22	RPSU4233-22-3	Gear Cage	1
4	RPSU4233-04	Valve Stem	1	23	RPSU4233-23	Pin	2
5	RPSU4233-05	O-Ring	1	24	RPSU4233-24	Needle Roller	2
6	RPSU4233-06	O-Ring	2	25	RPSU4233-25-3	Gear	2
7	RPSU4233-07	Sleeve Valve	1	26	RPBB6001ZZ	Ball Bearing	1
8	RPSU4233-08	Valve Bushing	1	27	RPSU4233-27-3	Internal Gear	1
9	RPSU4233-09	Spring	1	28	RPSU4233-28	Gear Housing	1
10	RPSU4233-10	Trigger	1	29	RPSU4233-29	3/8" Drill Chuck (option)	
11	RPSU4233-11	Set Screw	1	29C	RPSU4233-29C	3/8" Keyless Drill Chuck (original)	1
12	RPSU4233-12	Ball Bearing	1	29D	RA8658N10	3/8" Keyless Drill Chuck (alt.)	NS
13	RPSU4233-13	Rear End Plate	1	30	RPSU4233-30	Felt	1
14	RPSU4233-14-3	Rotor	1	31	RPSU4233-31	Throttle Valve Plug	1
15	RPSU4233-15	Rotor Blade	5	32A	RPSU4233-32A	Muffler Retainer	1
16	RPSU4233-16	Cylinder	1	33	RPSU4233-33	Screw	1
17	RPSU4233-17	Pin	2	34	RPSU4233-34	Collect Nut	1
18	RPSU4233-18	Front End Plate	1	35	RPSU4233-35	3/8" Key (option)	
19	RPSU4233-19	O-Ring	1				