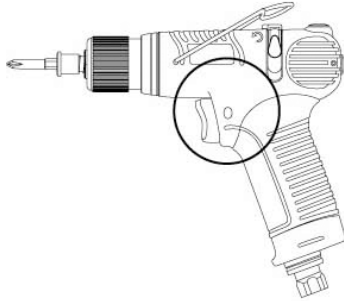


# Operation Manual

## Lock function operation



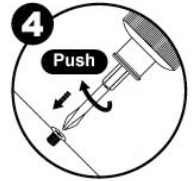
Lock



1 Press first the trigger



2 Then press the Lock pin



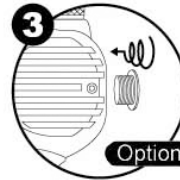
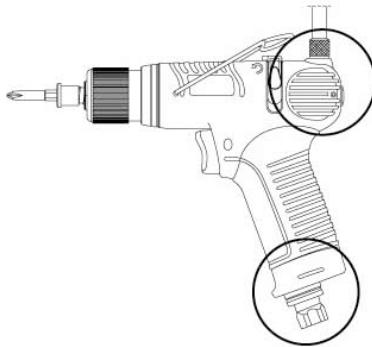
4 Push



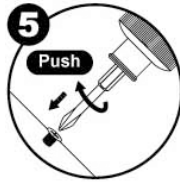
Press

Notice : Do not press first the Lock pin

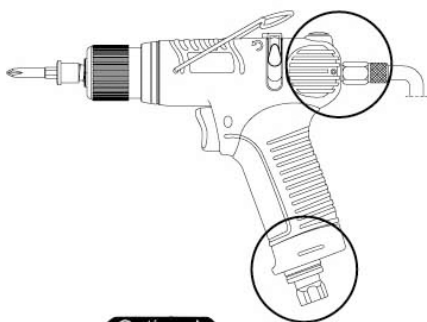
## Change air-inlet direction operation



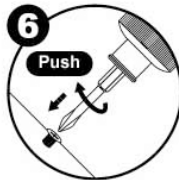
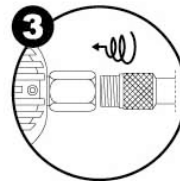
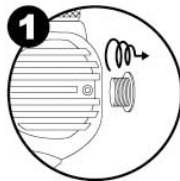
Optional



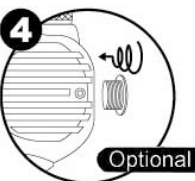
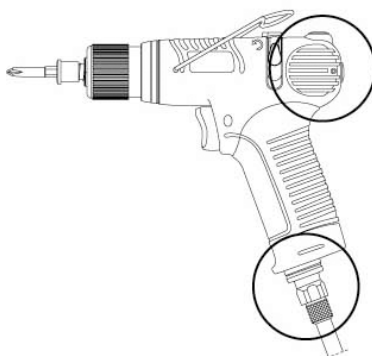
5 Push



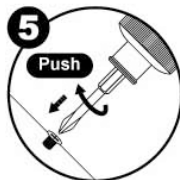
Optional



6 Push



Optional

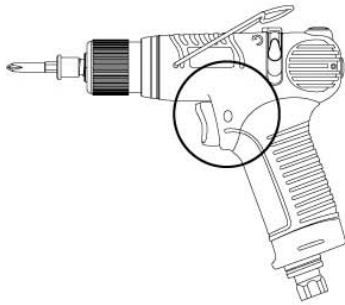


5 Push

# Operation Manual

## Lock function operation

### Unlock

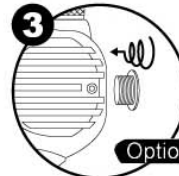
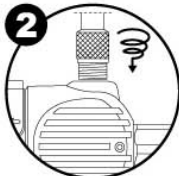
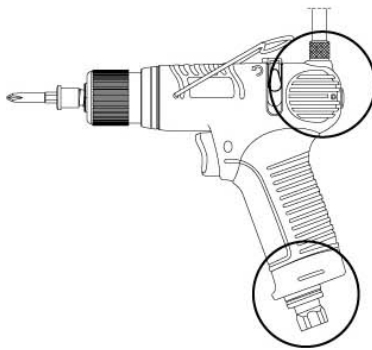


Relief first the Lock pin

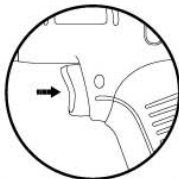
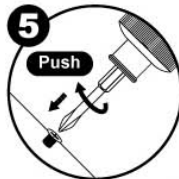


Revert the Trigger as original situation

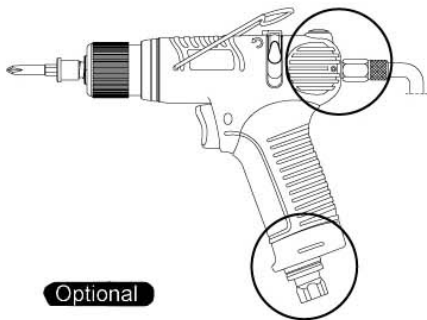
## Change air-inlet direction operation



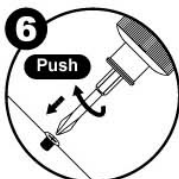
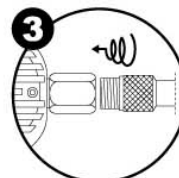
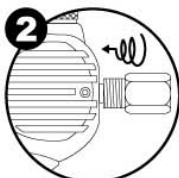
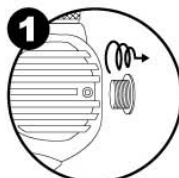
Optional



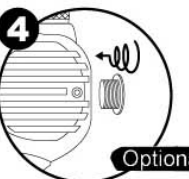
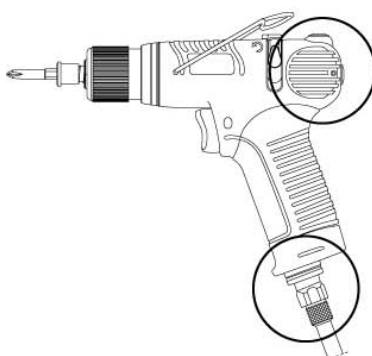
Notice : Press the trigger



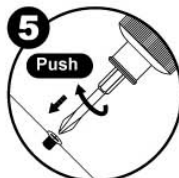
Optional



Notice : Press the trigger



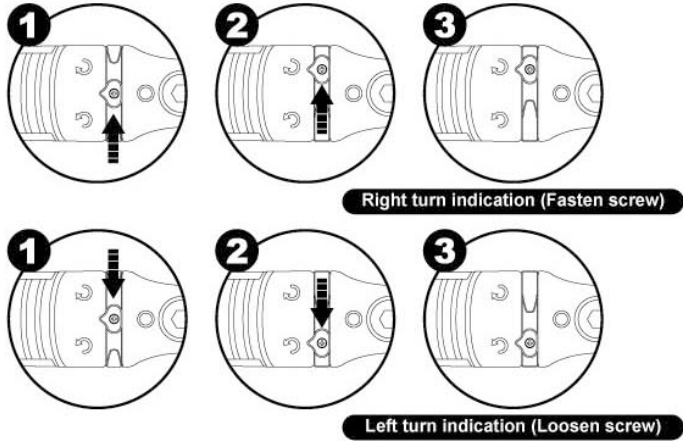
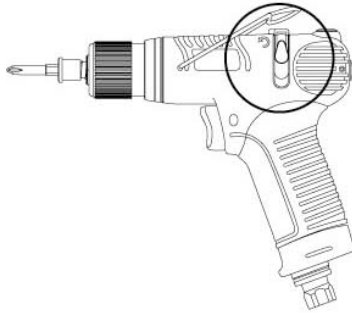
Optional



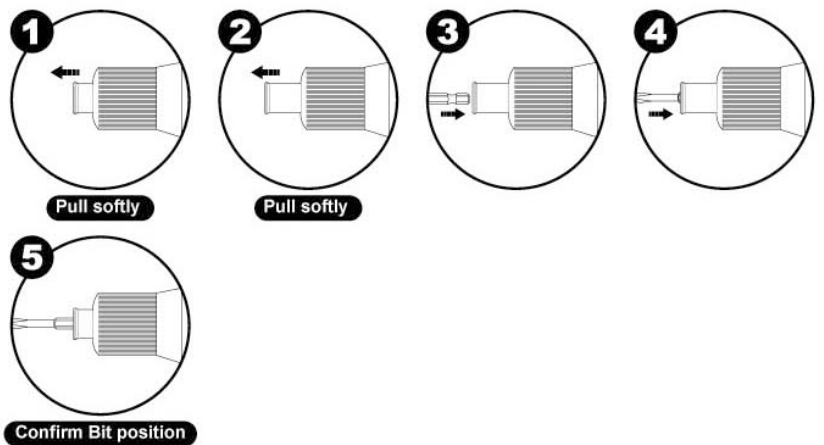
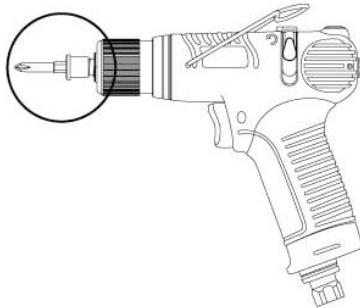
Notice : Press the trigger

# Operation Manual

## Reverse Switch operation



## Bit convert operation of Pull type tool



## Torque Reaction Ring operation

