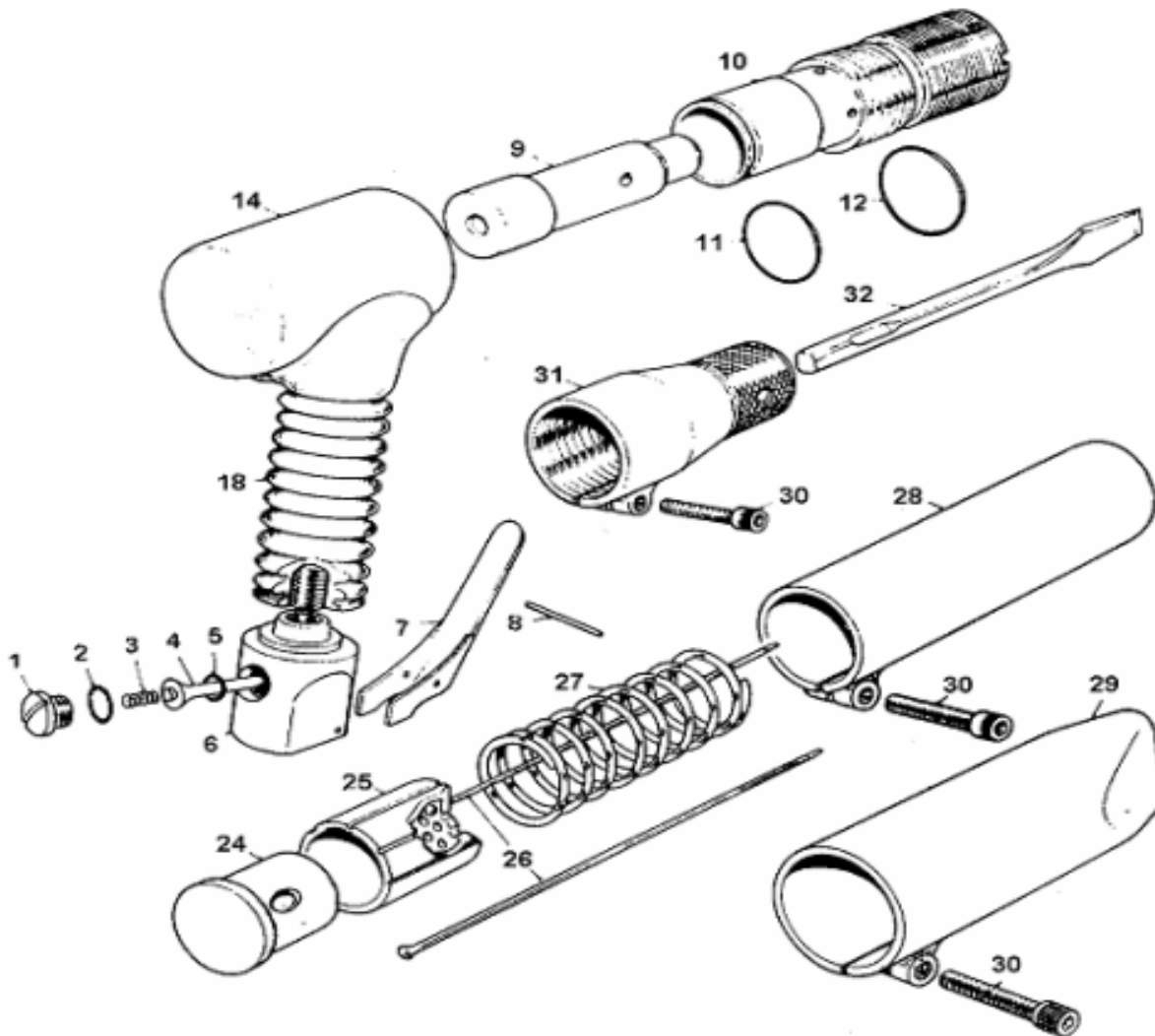


NL Naaldbikhamer / Hamer
GB Needle scaler / Hammer
D Nadel-Entroster / Meißelhammer
F Dérouilleur / Marteau

RC4130/4140 RC288/289
 RC4130/4140 RC288/289
 RC4130/4140 RC288/289
 RC4130/4140 RC288/289



2008-10



Index	Parts No.	Description	Quantity
1	RP6153021	Valve cap	1
2	RPOR3292	O-ring valve cap	1
3	RP7123022	Valve spring	1
4	RP6183022	Valve stem	1
5	RPOR3971	O-ring	1
6	TAKE 6A (1~8)	Valve body	1
6A	RP4233021	Valve body as. 1~8	1
7	RP7163000	Throttle lever	1
8	RP156TR46	Roll pin	1
9	RP6123001	Piston RC4140/289	1
9A	RP6122001	Piston RC4130/288	1
10	RP6133101	Cylinder RC4140	1
10A	RP6132101	Cylinder RC4130	1
11	RP8090289	O-ring RC4140	1
11A	RPOR3303	O-ring RC4130	1
12	RP61949	O-ring RC4140	1
12A	RPOR4237	O-ring RC4130	1
14	RP4253100	Cover assy RC4140	1
14A	RP4252100	Cover assy RC4130	1
18	RP7173101	Rubber handle grip	1
24	RP6102001	Anvil RC4130	1
24A	RP6103001	Anvil RC4140	1

Index	Parts No.	Description	Quantity
25	RA6012003	19X3mm holder RC4130	1
25A	RA6012002	51X2mm holder RC4130	1
25B	RA6013004	19X4mm holder RC4140	1
25C	RA6013003	28X3mm holder RC4140	1
25D	RA6013002	65X2mm holder RC4140	1
26	RA4432107	Needle (3mm chisel)	19/28
26A	RA4433107	Needle (3mm pointed tip)	19/28
26B	RA4431107	Needle (3mm flat tip)	19/28
26C	RA4421107	Needle (2mm flat tip)	51/65
26D	RA4442107	Needle (4mm chisel tip)	19
26E	RA4443107	Needle (4mm pointed tip)	19
26F	RA4441107	Needle (4mm flat tip)	19
27	RP7123001	Spring compression RC4140	1
27A	RP7122001	Spring compression RC4130	1
28	RP4163132	Intermediate tube RC4140	1
28A	RP4162032	Intermediate tube RC4130	1
29	RP4173032	Straight front tube RC4140	1
29	RP4172032	Round front tube RC4130	1
29A	RP4182032	Straight front tube RC4140	1
29A	RP4183032	Round front tube RC4130	1
30	RP8060830	Screw	1
31	RA4192241	Chisel holder RC288	1
31A	RA4193341	Chisel holder RC289	1
32	RA7041101	Chisel straight blade	1