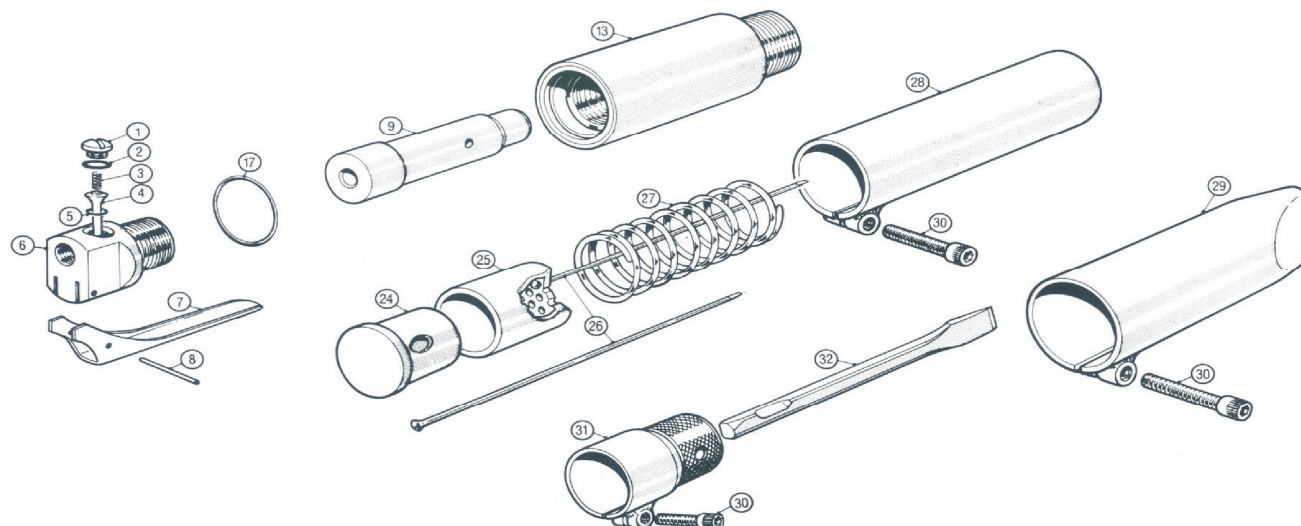


- NL** Naaldbikhamer / Hamer
- GB** Needle scaler / Hammer
- D** Nadel-Entroster / Meißelhammer
- F** Dérouilleur / Marteau
- I** Disossidatori as aghi / Scalpelli
- DK** Nálehamre / Mejselhamre
- N** Nálebanker / Meiselhammer

RC4120 RC287  
 RC4120 RC287  
 RC4120 RC287  
 RC4120 RC287  
 RC4120 RC287  
 RC4120 RC287  
 RC4120 RC287



2008-03



Index	Parts No.	Description	Quantity
1	RP6153021	Valve cap	1
2	RPOR3292	O-ring	1
3	RP7123022	Valve spring	1
4	RP6183022	Valve stem	1
5	RPOR3971	O-ring	1
6	RP4242021	Valve body	1
6A	RP4232021	Valve body ass.1-8	1
7	RP7163000	Throttle lever	1
8	RP156TR46	Roll pin	1
9	RP6122001	Piston	1
13	RP4112002	Body	1
17	RP8095179	O-ring	1
24	RP6102001	Anvil	1
25	RA6012003	3mm Needle holder	1
25A	RA6012002	2mm Needle holder	1

Index	Parts No.	Description	Quantity
26	RA4431107	Needle (3mm chisel tip)	19
26A	RA4433107	Needle (3mm pointed tip)	19
26B	RA4432107	Needle (3mm flat tip)	19
26C	RA4421107	Needle (2mm chisel tip)	29
27	RP7122001	Spring compression	1
28	RP4162032	Intermediate tube (incl.30)	1
29	RP4172032	Straight front tube (incl.30)	1
29A	RP4182032	Round front tube (incl.30)	1
30	RPECS08X30	Cap head screw	1
31	RA4192241	Chisel holder	1
32	RA7041101	Chisel straight blade	1
	RA7041103	Chisel straight blade	1
	RA7041105	Chisel cranked blade	1