

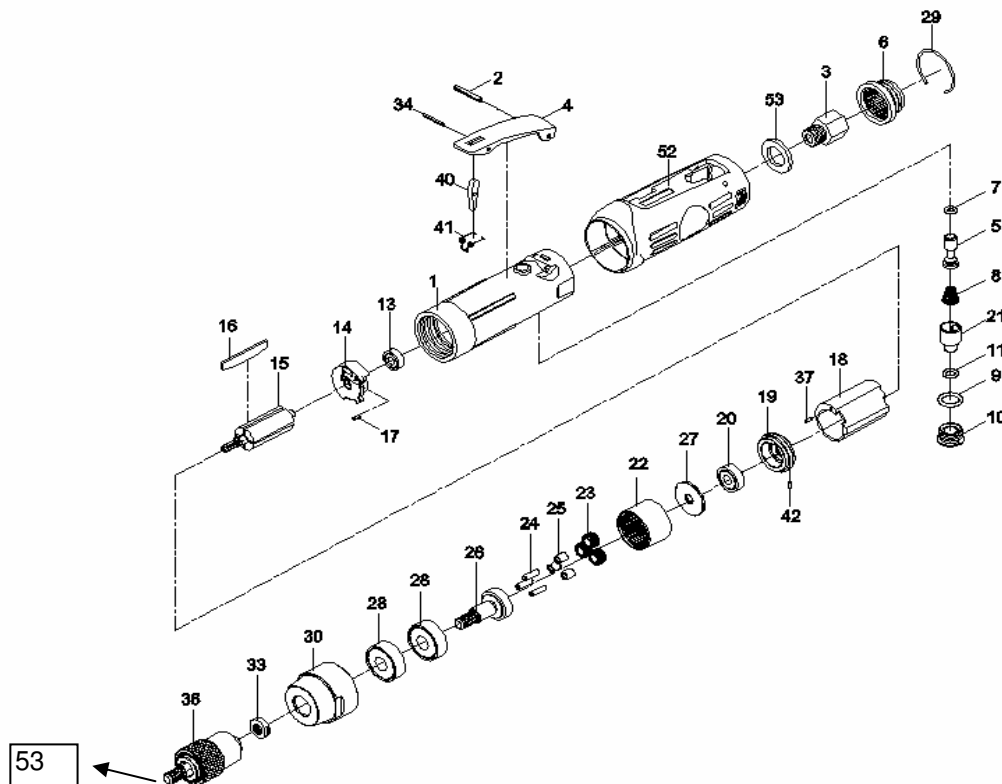
- NL** Siftslijper
- GB** Die Grinder
- D** Stabschleifer
- F** Fraiseuse
- I** Smerigliatrici
- DK** Stift-slibemaskiner
- N** Håndslipere

- RC 536**
- RC 536**
- RC 536**
- RC 536**
- RC 536**
- RC 536**
- RC 536**

**RODAC**<sup>®</sup>

International bv

2005-11



Index	Parts No.	Description	QYT
1	RPSP301101-11	Motor housing	1
2	RPSP30240	Spring pin 3x24L	1
3	RPSP51203	Air inlet	1
4	RPSP51204-23	Throttle lever +34-40+41	1
5	RPSP51805	Valve stem	1
6	RPSP70948R	Exhaust deflector	1
7	RPOR3334	O-ring 4,8x1,9	1
8	RPSP51808	Valve spring	1
9	RPOR3713	O-ring 11,8x2,4	1
10	RPSP51810	Throttle valve plug	1
11	RPOR3953	O-ring 6,5x2,0	1
13	RPBB696ZZ	Ball bearing BB696ZZ	1
14	RP301114-11	Rear end plate	1
15	RP76-301115-11	Rotor	1
16	RP512216-11	Rotor blade	4
17	RP0530116	Spring pin 1,5x6L	1
18	RP512218-11	Cylinder	1
19	RP6K-301119-11	Front end plate	1
20	RPBB608ZZ	Ball bearing BB608ZZ	1
21	RPSP51821	Air regulator	1
22	RP76-301122-11	Internal gear	1

Index	Parts No.	Description	QYT
23	RPSP72523	Planet gear +nr 25	3
24	RPSP70924R	Pin 4x13,8 L	2
25	Take 23	Bushing	2
26	RPSP72526	Work spindle	1
27	RP76-301121-11	Washer	1
28	RPBB6201Z	Ball bearing 6201Z	2
29	RPSP51229	Retainer ring	1
30	RP76-301130-000	Clamp nut	1
33	RP0022025	Washer	1
34	take nr 4	Spring pin 3x18L	1
35	RPOR23026	O-ring 7,65 x1,78	1
36	RPSP66130	Tyre buffer head	1
37	RP30117-22	Spring pin 1,5x4L	2
38	RP512241-11	Fixed shaft	1
40	Take 4	Safety bar	1
41	Take 4	Spring 2x4L	1
45	RP526328-11	Set screw m4x5L	1
52	RPSP512252-11	Rubber grip	1
53	RA520	Spindle	1