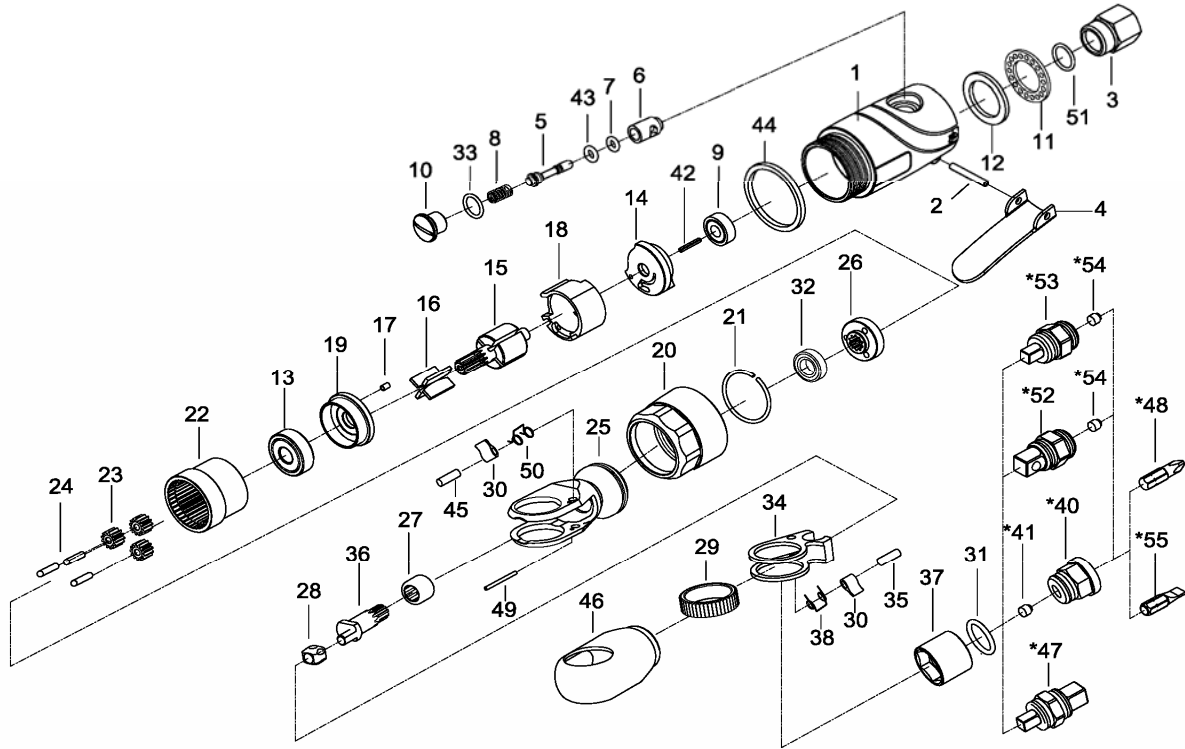


| | | |
|-----------|---------------------------|--------------|
| NL | Ratelsleutel | RC582 |
| GB | Ratchet | RC582 |
| D | Ratschenschrauber | RC582 |
| F | Clés à Rochet | RC582 |
| I | Cricchetti ad aria | RC582 |
| DK | Skraldenøgler | RC582 |
| N | Skraller | RC582 |



2010-07



| Index | Parts No. | Description | Quantity |
|-------|--------------|----------------------|----------|
| 1 | RP32-301501 | Housing | 1 |
| 2 | RP50102-12 | Spring Pin (3*20L) | 1 |
| 3 | RP32-301503 | Air Inlet | 1 |
| 4 | RP32-301504 | Throttle lever | 1 |
| 5 | RP32-301505 | Valve Stem | 1 |
| 6 | RP32-301506 | Valve Bushing | 1 |
| 7 | RPOR00200100 | O-Ring (2*1) | 1 |
| 8 | RP32-301508 | Spring | 1 |
| 9 | RPBB696ZZ | Ball Bearing (696ZZ) | 1 |
| 10 | RP32-301510 | Throttle Valve Plug | 1 |
| 11 | RP32-301511 | Exhaust Diffuser | 1 |
| 12 | RP32-301512 | Damping Material | 1 |
| 13 | RPBB608ZZ | Ball Bearing (608ZZ) | 1 |
| 14 | RP32-301514 | Rear End Plate | 1 |
| 15 | RP32-301515 | Rotor | 1 |
| 16 | RP32-301516 | Vane | 4 |
| 17 | RP70117-13 | Spring Pin (2.5*5L) | 1 |
| 18 | RP32-301518 | Cylinder | 1 |
| 19 | RP32-301519 | Front End Plate | 1 |
| 20 | RP32-301526 | Clamp Nut | 1 |
| 21 | RP32-301629 | Retainer Ring | 1 |
| 22 | RP32-301521 | Internal Gear | 1 |
| 23 | RP32-301523 | Planet Gear | 3 |
| 24 | RPPNO3051208 | Pin (3.5*12.8L) | 3 |
| 25 | RP32-301628 | Ratchet Housing | 1 |
| 26 | RP32-301627 | Idle Gear Plate | 1 |
| 27 | RP0HK0910 | Needle Bearing | 1 |

Note: accessories, sockets and bits from BC not available as separate parts

| Index | Parts No. | Description | Quantity |
|-------|---------------|----------------------|----------|
| 28 | RP32-301231 | Drive Bushing | 1 |
| 29 | RP32-301622 | Ratchet Ring | 1 |
| 30 | RP32-301637 | Ratchet Pawl | 2 |
| 31 | RP72009 | O-Ring (15.7*1.7) | 1 |
| 32 | RPBB689ZZ | Bearing (689ZZ) | 1 |
| 33 | RP40333 | O-Ring (8*2) | 1 |
| 34 | RP32-301632 | Yoke | 1 |
| 35 | RPPN04001108 | Pin (4*11.8L) | 1 |
| 36 | RP32-301631 | Crank Shaft | 1 |
| 37 | RP32-301639 | Socket | 1 |
| 38 | RP32-301633 | Torsion Spring | 1 |
| 40 | RP32-301641 | Bit Seat | 1 |
| 41 | RP32-301658 | Column Magnet | 1 |
| 42 | RPSP02001200 | Spring Pin (2*12L) | 1 |
| 43 | RP30107 | O-Ring (3.81.9) | 1 |
| 44 | RP32-301555 | Rubber Ring | 1 |
| 45 | RP32-301653 | Pin (4*17.8L) | 1 |
| 46 | RP32-3016531 | Rubber Hat | 1 |
| 47 | RP32-301640 | Square Anvil | 1 |
| 48 | Not Available | Bit | 1 |
| 49 | RPSP01061800 | Spring Pin (1.6*18L) | 1 |
| 50 | RP32-301635 | Torsion Spring | 1 |
| 51 | RPOR01104103 | O-Ring (11.41.25) | 1 |
| *52 | RP32-301642 | Square Anvil (3/8") | 1 |
| *53 | RP32-301643 | Square Anvil (1/4") | 1 |
| *54 | RP32-301659 | Column Magnet | 2 |
| 50 | Not Available | Bit | 1 |

* Optional parts